

Right Connections

towbar wiring kits for the uk

BMW

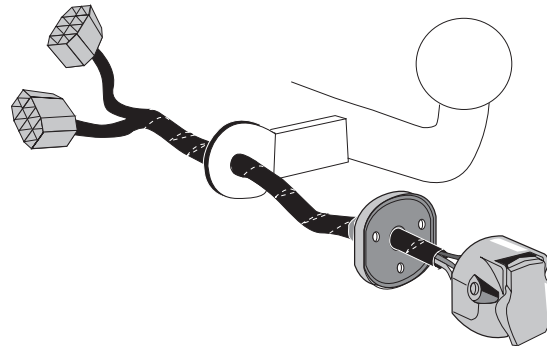
X5 G05 11/2018 >>

X6 G06 11/2019 >>

X7 G07 04/2019 >>

Part No: BW-031-13

Electric wiring kit for towbars / 13-pin / 12 Volt / ISO 11446 Fitting instructions



Please note:



This tow bar wiring kit has no influence on the towing vehicle's driver assistance systems. Driver assistance systems will not be influenced or automatically deactivated during trailer operations.

If the vehicle is equipped with the "Remote-Controlled Parking" or "Parking Driver Assistant" function, this function **MUST NOT** be used with a trailer/bike rack attached!



IMPORTANT!

This electric kit has to be installed by a professional workshop or a suitable qualified person.

The installation instructions must have been read and fully understood before the start of any installation. Please contact your wiring kit provider or the hotline shown in the footer should you need assistance!

Make sure the vehicle is approved/homologated by the manufacturer to tow a trailer!

Also please check that there is a definite compatibility between this vehicle and the electric kit!

Following the installation of the electric kit, the fitting instructions should be kept together with the vehicle service document and vehicle handbook. The fitting instructions contain important information relating to the use and function of the towing kit as well as for any diagnostic or activation process, that might have to be repeated in the future (e.g. after the performance of a vehicle software update).

All warranty claims will be forfeited if the electric kit or components contained therein are used incorrectly or modified. If a towing socket adaptor has been used to connect to the trailer or bike rack, this must be removed from the trailer socket once the trailer or bike rack has been disconnected.

If the trailer or bike rack is not equipped with a rear fog lamp, depending on the towing vehicle type, the correct function of the towing kit cannot be guaranteed. In such cases, a rear fog lamp should be retro fitted.

This towing electric kit will not be covered under warranty if any technical or electrical modifications or software updates have been performed by the vehicle manufacturer after the initial commissioning of the kit. That applies especially to modifications or updates which may cause malfunctions in the trailer socket or any other part of the trailer electrical equipment!

Depending on the type of trailer module used in this electric kit, diagnostic interrogation with the vehicle's electrical system may be limited or will not function. The error memory inside the trailer module may not be able to be accessed by vehicle manufacturers diagnostic system.

Error logs relating to the trailer electrical equipment, that may be generated in the vehicle manufacturers diagnostic system as a result of a test procedure, may be due to the incorrect installation of the towing electric kit or the false activation of the trailer module.

We always recommend whenever possible, the following troubleshooting process:

→ **An analysis of the vehicle's error memory and possibly clearing of all faults before the start of the installation!**

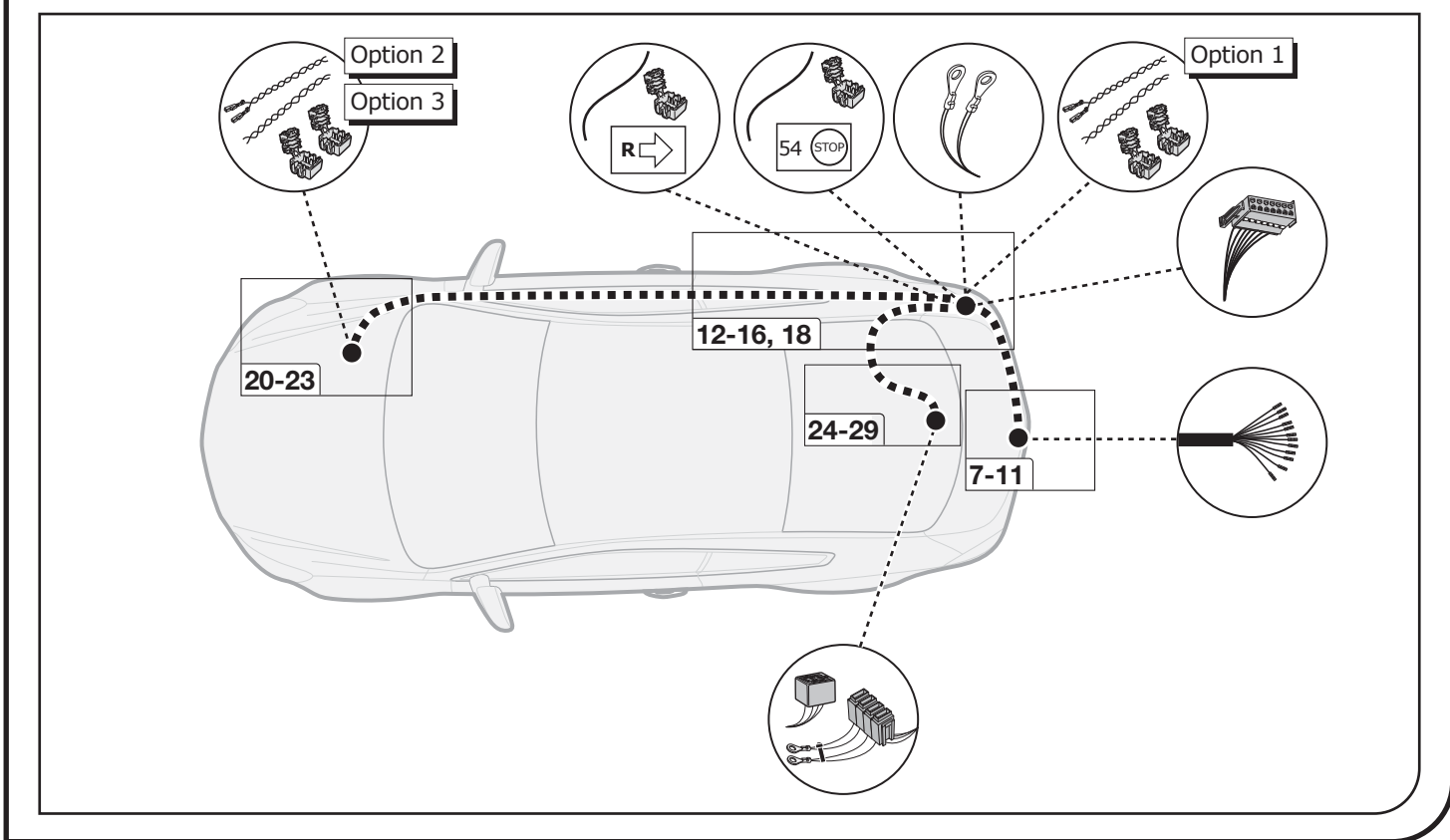
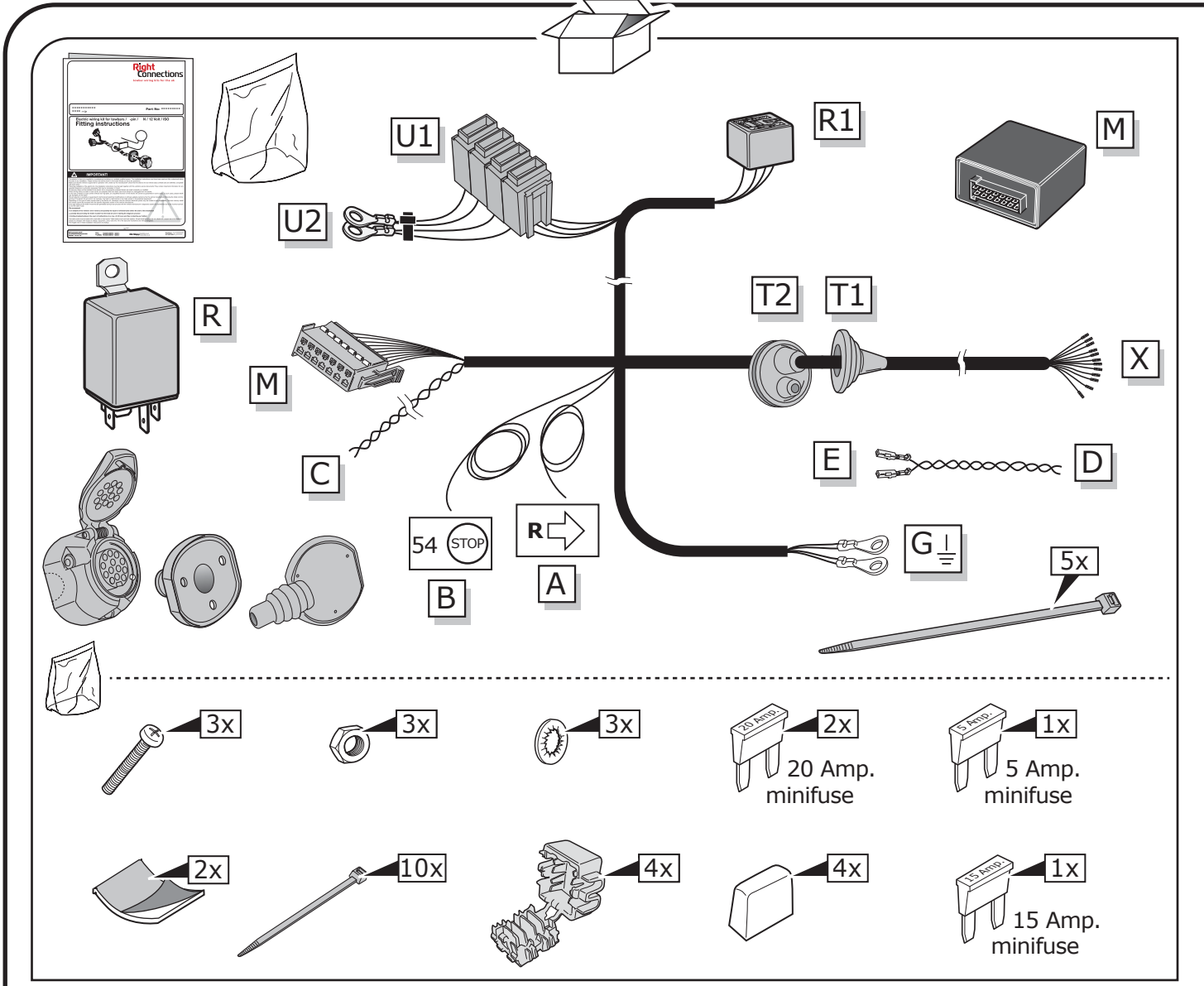
→ **Try disconnecting the trailer module from the towing harness and re-start the fault clearing process!**

→ **If in doubt, limit the time for troubleshooting to a max of 0,5 hours and call our Technical Support Team!**

Please follow our instructions carefully and always test the towing electrics using a true lighting board or a specifically designed bulb tester. If an LED tester is used, ensure it is equipped with correct load resistors or malfunctions will occur!

This instruction is subject to changes and we reserve the right to make changes to design, colour etc.

All of the data and illustrations may not be an exact representation but the text contained in this instruction must be observed!

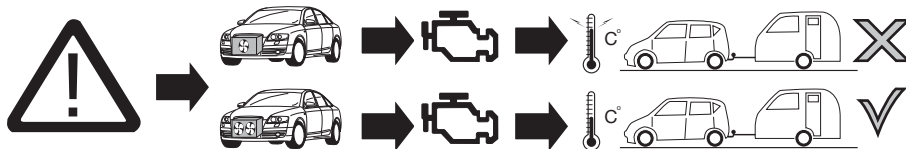
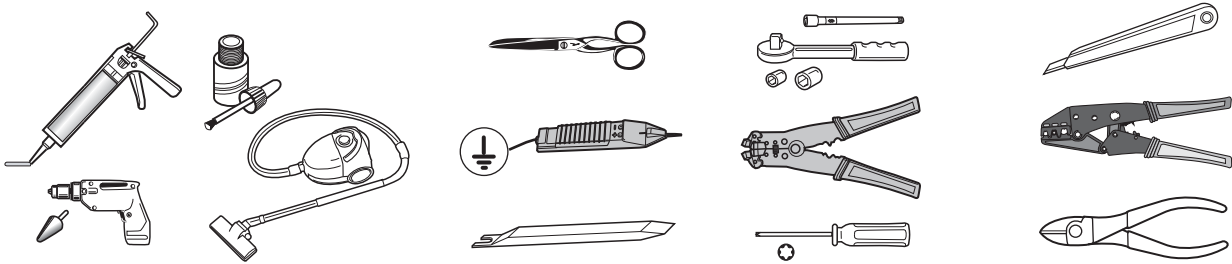


SYMBOL EXPLANATION

	Left (58-L) respectively Right (58-R) tail light
54	Stop light (54) / high mounted, third stop light (54)
	Turn signal indicator left
	Turn signal indicator right
	Rear fog light(s)
Reverse	Reversing light(s)
30+	Permanent power supply / 13pin socket, chamber 9
15+	Charging wire for trailer battery / 13pin socket, chamber 10
	Trailer / trailer recognition
B+ /30	Permanent current power supply
	Ground or Earth (31)
	Ground connection battery terminal lug
	Positive connection battery terminal lug

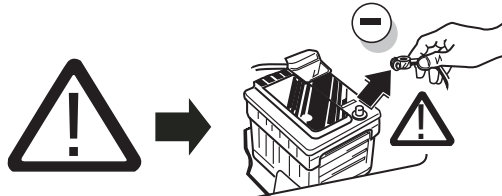
	Cigarette lighter / accessory socket
	Loudspeaker / buzzer
	Park Distance Control
	Switch / source of function
	Connect together
	Disconnect
	Look at / See further information
	Look carefully at selected area
	Present / Occupied / OK
	Not present / Not occupied / Not OK
	Acoustic indication
	Attention / important advice
	Fuse / fuse capacity 20 Ampère

TOOLS



ATTENTION!

The vehicle's cooling capacity may have to be increased when retrofitting a trailer coupling!
You must observe the manufacturer's instructions!!



Note: It may be necessary to check if this vehicle has a stored radio code before disconnecting the battery!



ATTENTION!

In order to avoid mal-functions and damage to the vehicle's electrical system the earth terminal **must be disconnected** from the vehicle's battery **before starting work!**

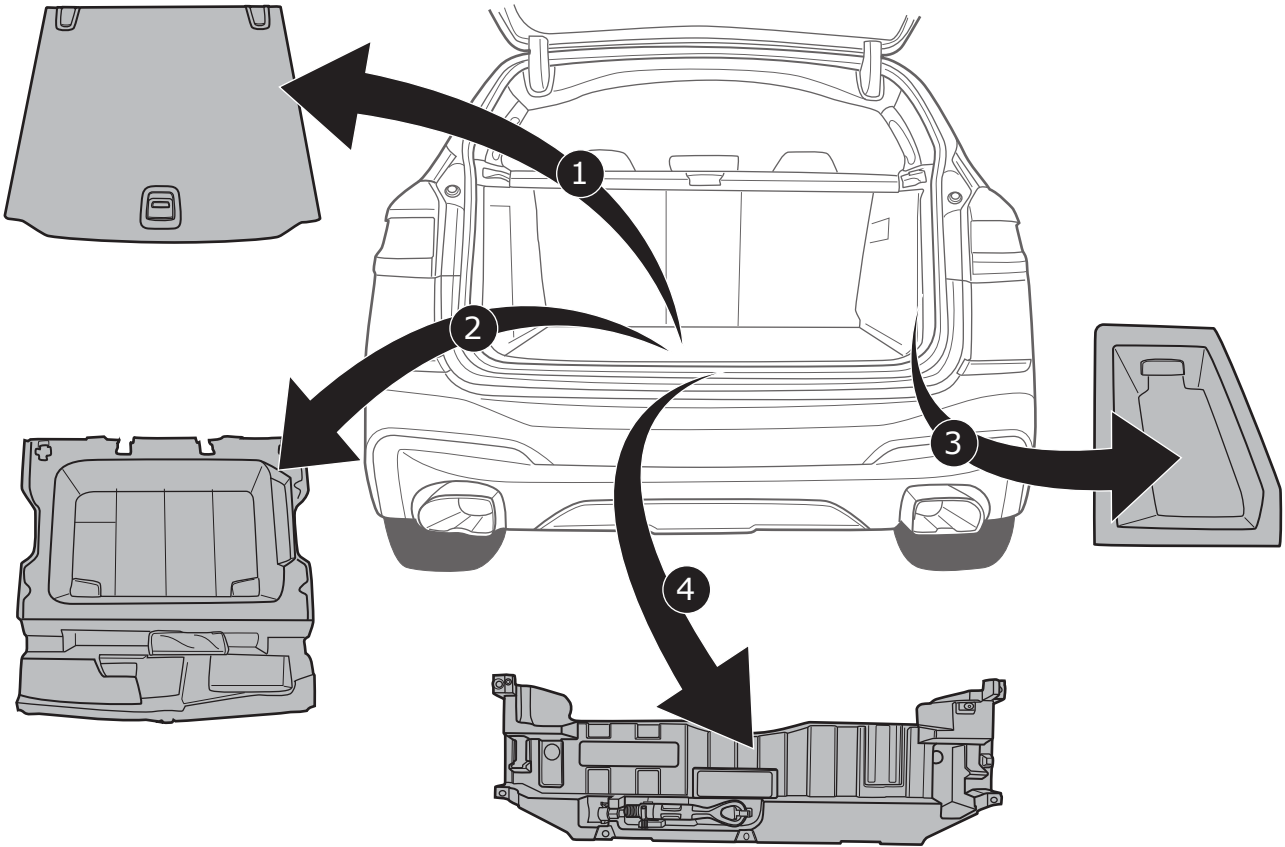
Both the trailer module and the vehicle's control unit for the electrical system can be damaged during work on the data bus connections if the battery is not disconnected!

1

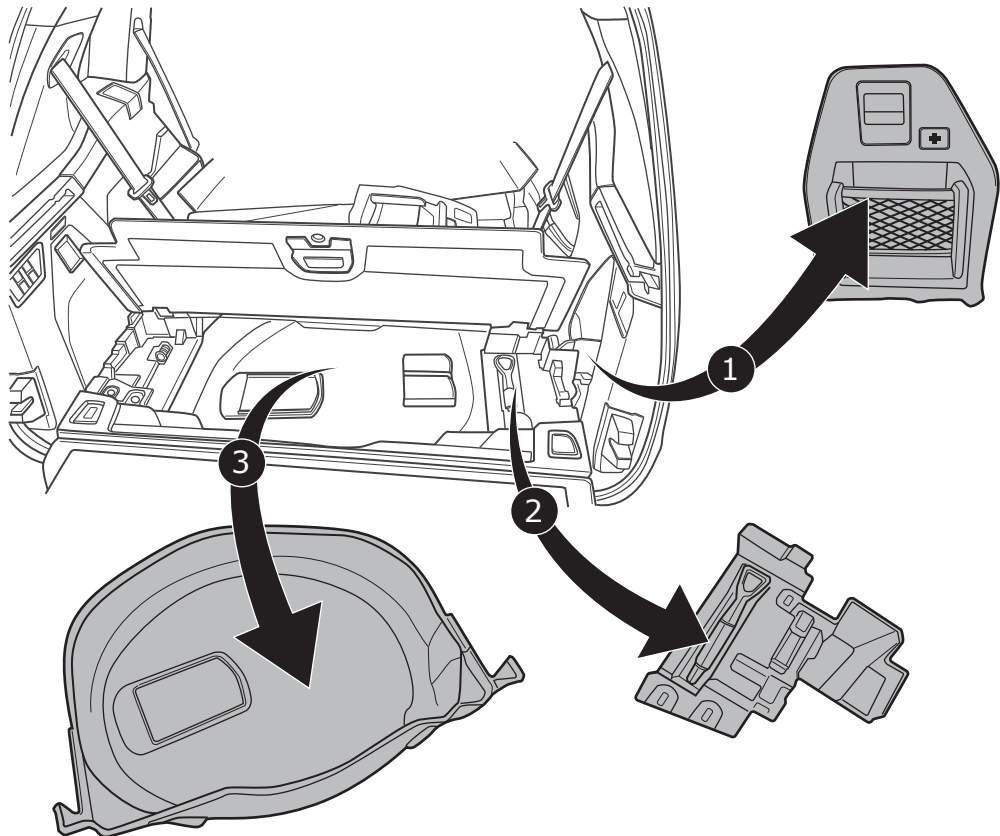
Please pay attention to the manufacturer's instructions when disconnecting and reconnecting the vehicle's battery!

BMW X5 G05

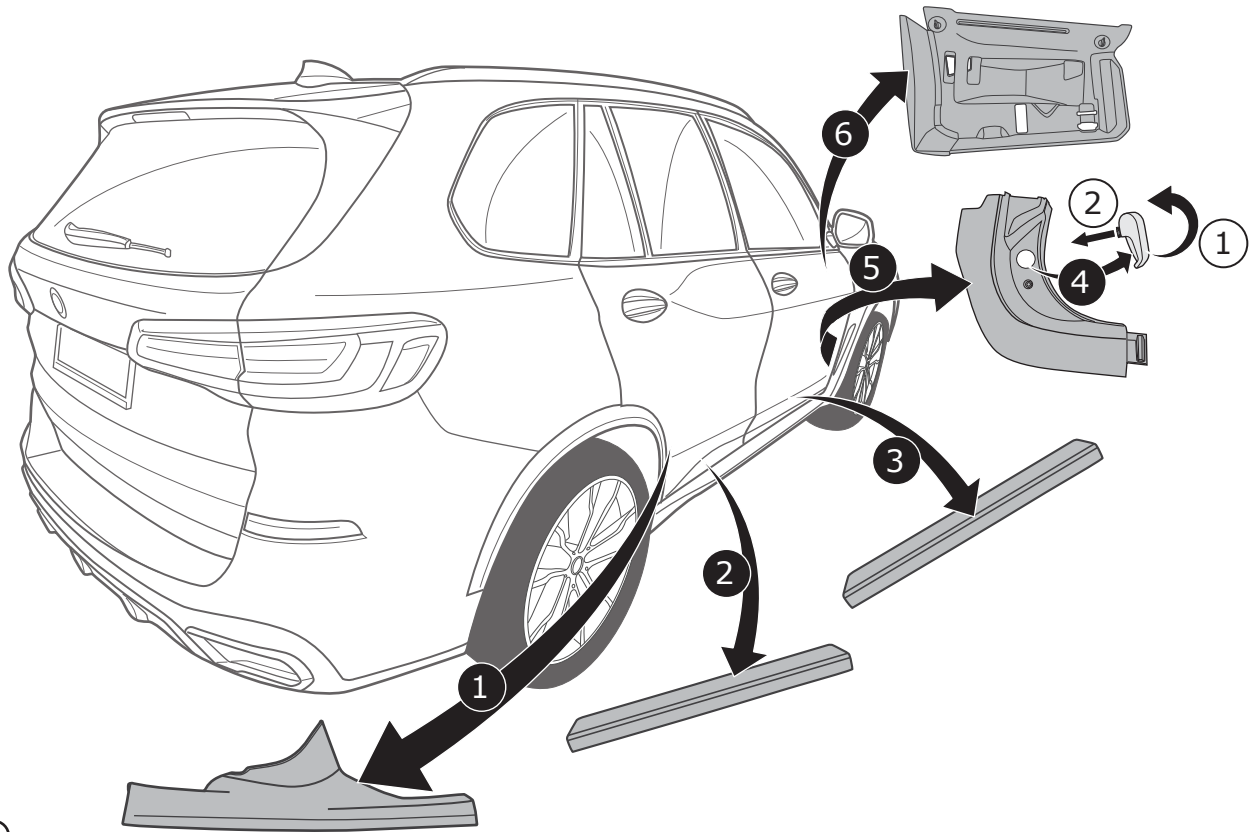
BMW X6 G06



BMW X7 G07



2



3

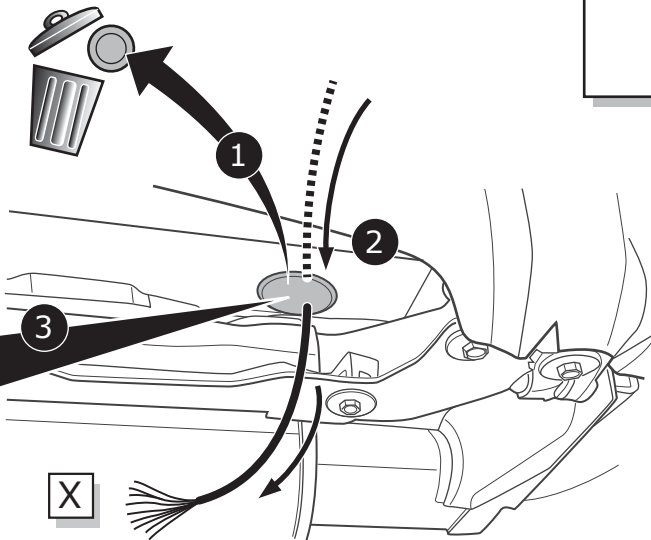
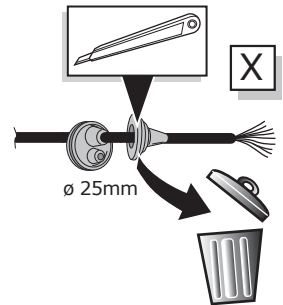


Option 1

BMW X5 G05

BMW X6 G06

INFO

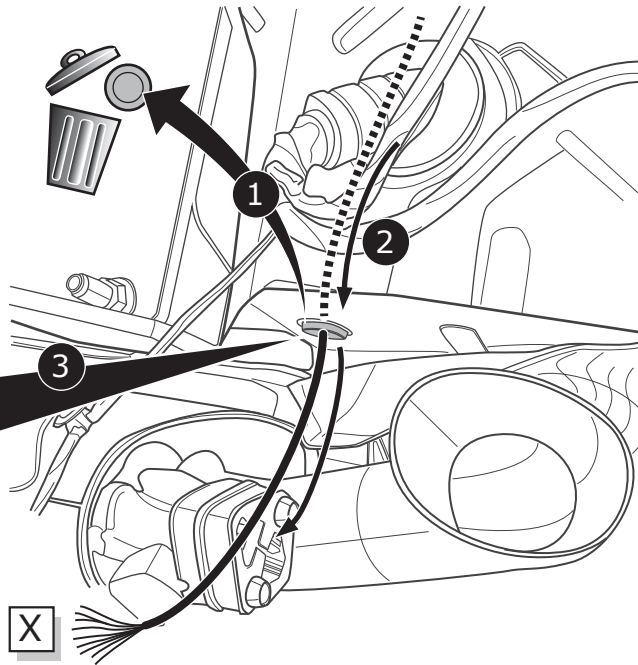


4

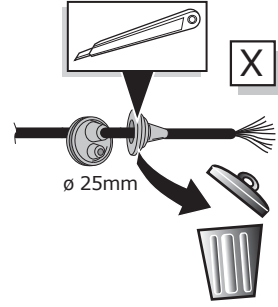


Option 1

BMW X7 G07



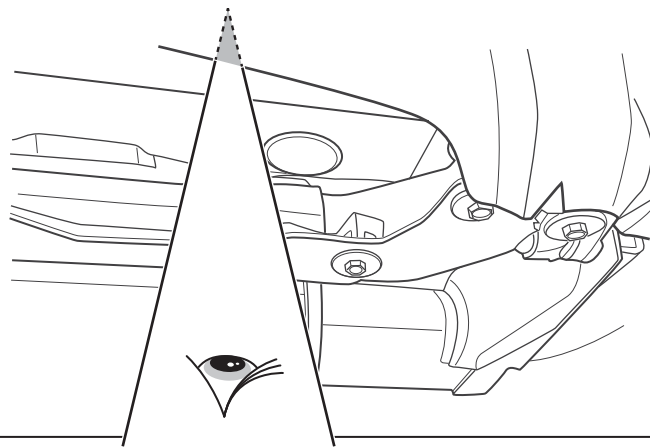
INFO



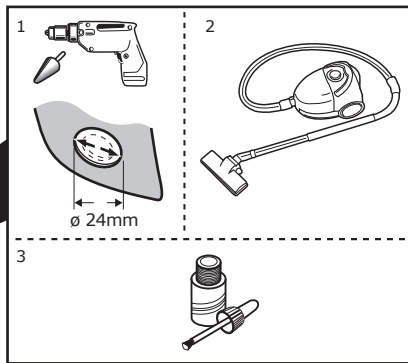
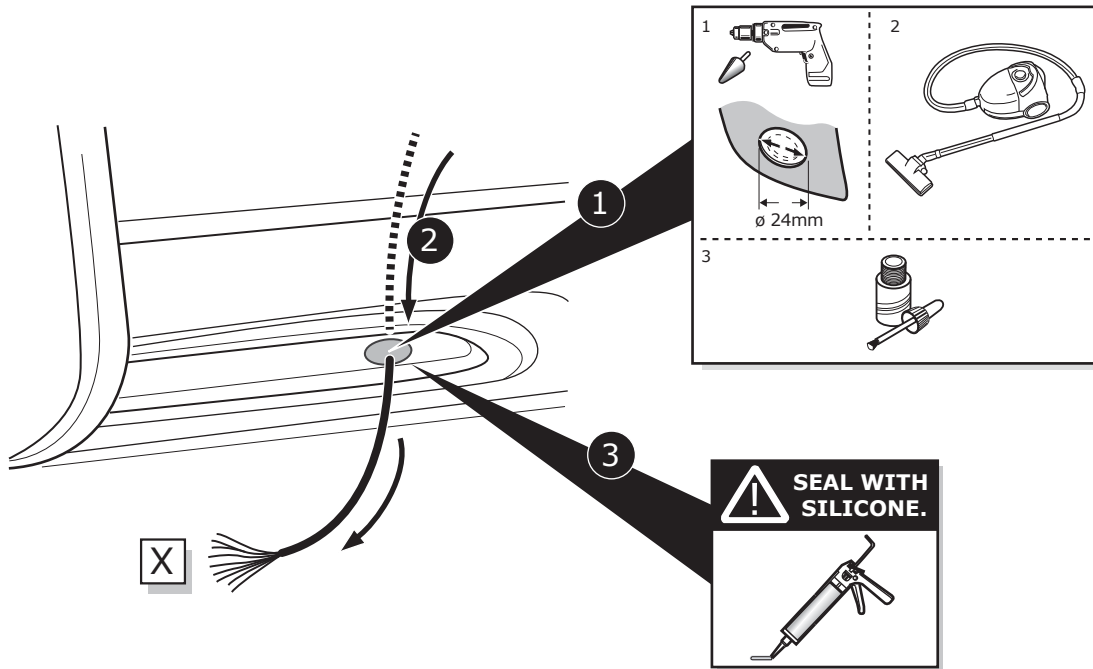
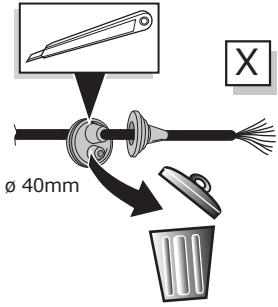
5



Option 2

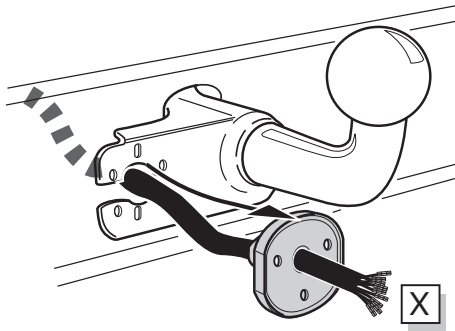


INFO



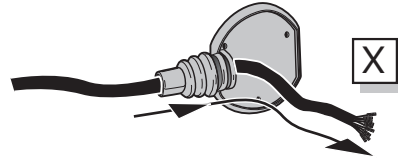
6

Option 1

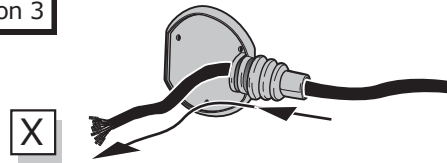


7

Option 2



Option 3

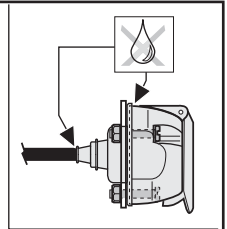
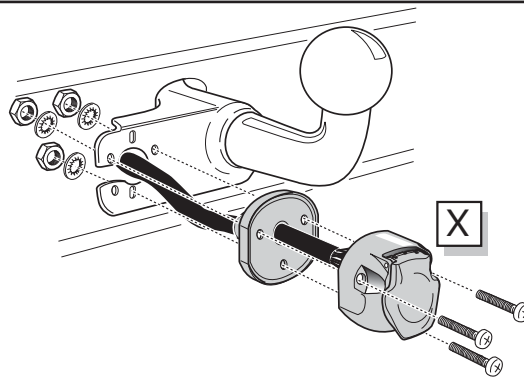


SOCKET CONNECTION

DIN/ISO 11446	←L	⊘	⊥ 1-8	R→	☀	⊘ STOP	☀	Reverse	30°	15°	⊥ 10	—	⊥ 9
	1/L	2	3/31	4/R	5/58-R	6/54	7/58-L	8	9	10	11	12	13
Pmax	21W	21W		21W	42W	3x21W	42W	21W	180W	180W			
Colour	Yellow	Blue	White	Green	Brown	Red	Black	Pink	Orange	Grey	White/Black	-	White/Red

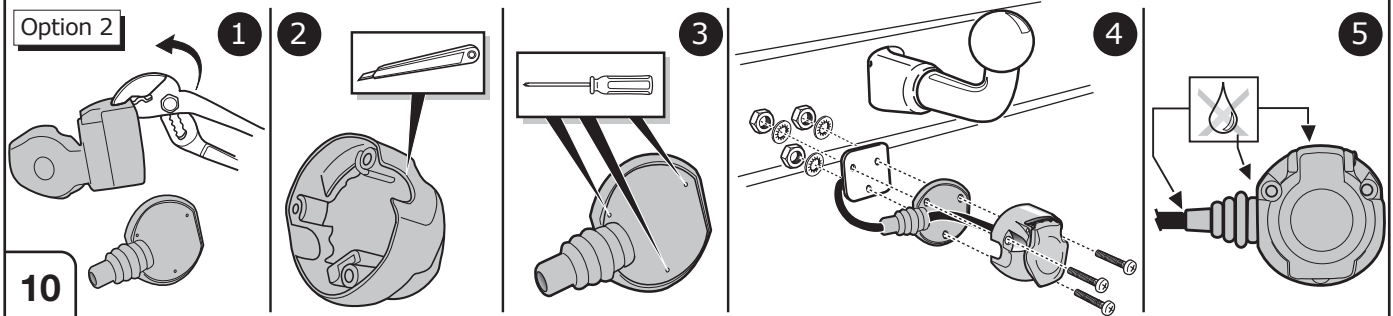
8

Option 1



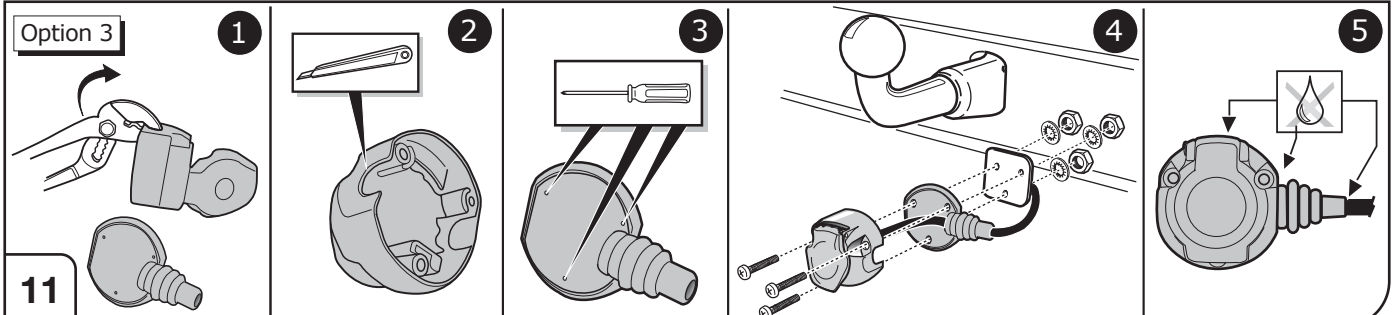
9

Option 2



10

Option 3

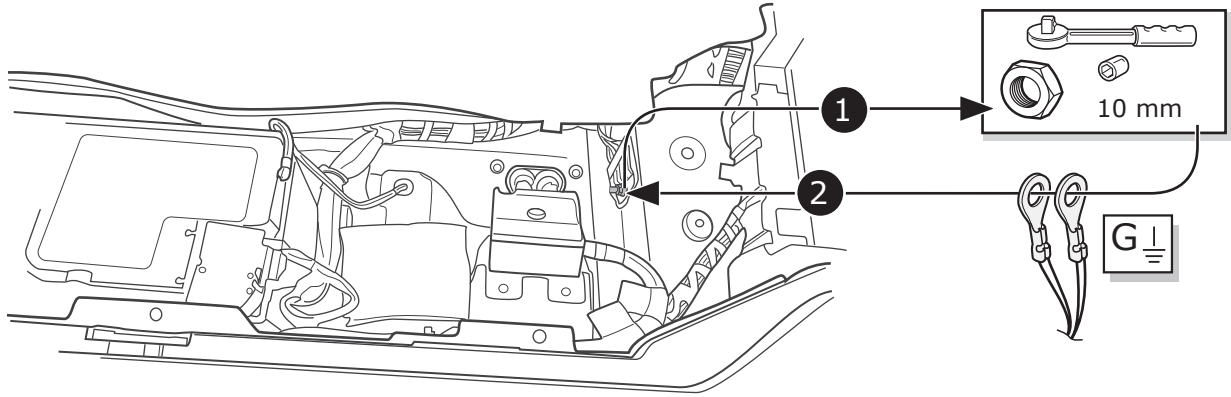


11

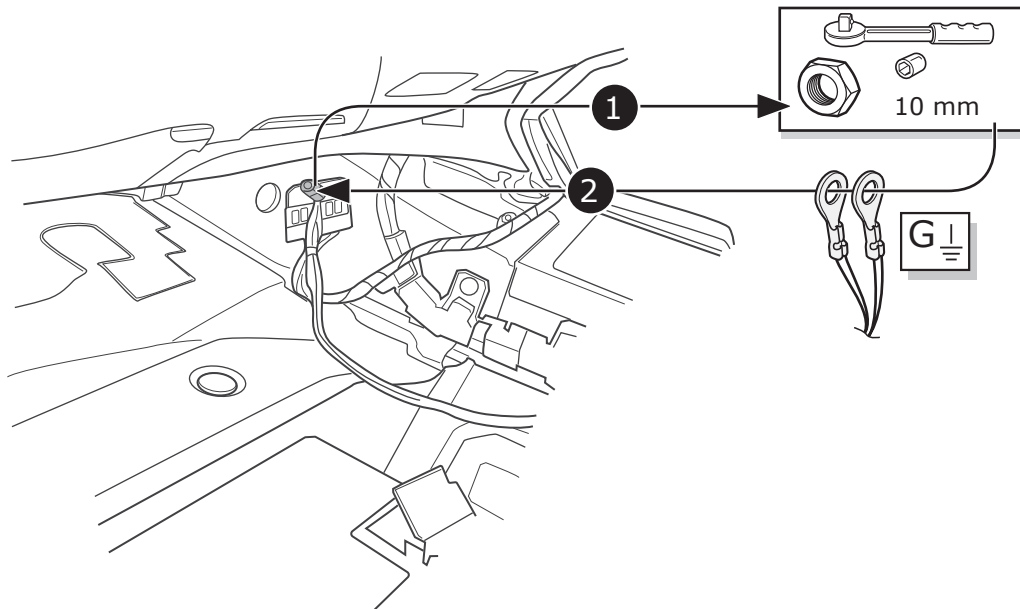


BMW X5 G05

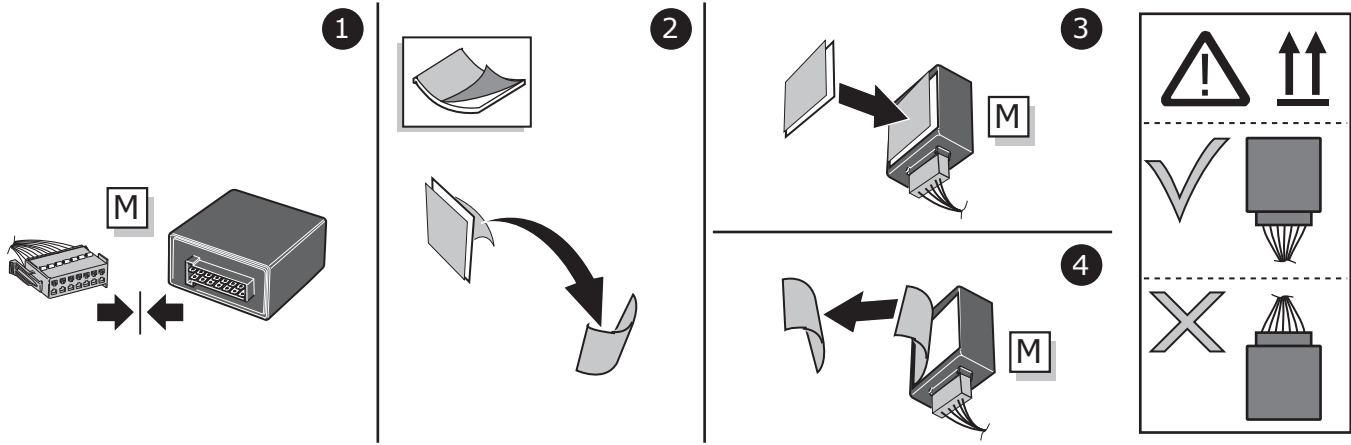
BMW X6 G06



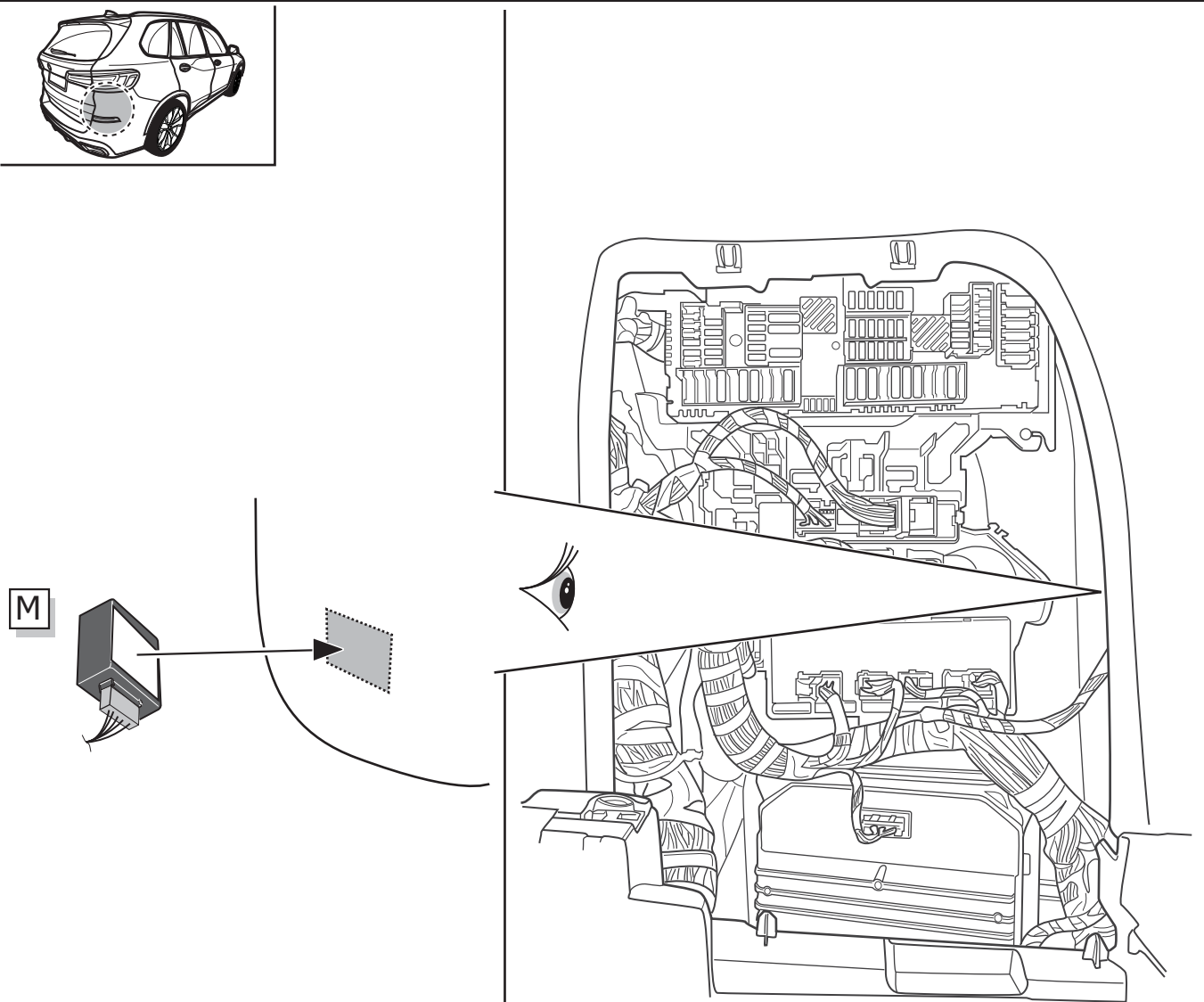
BMW X7 G07

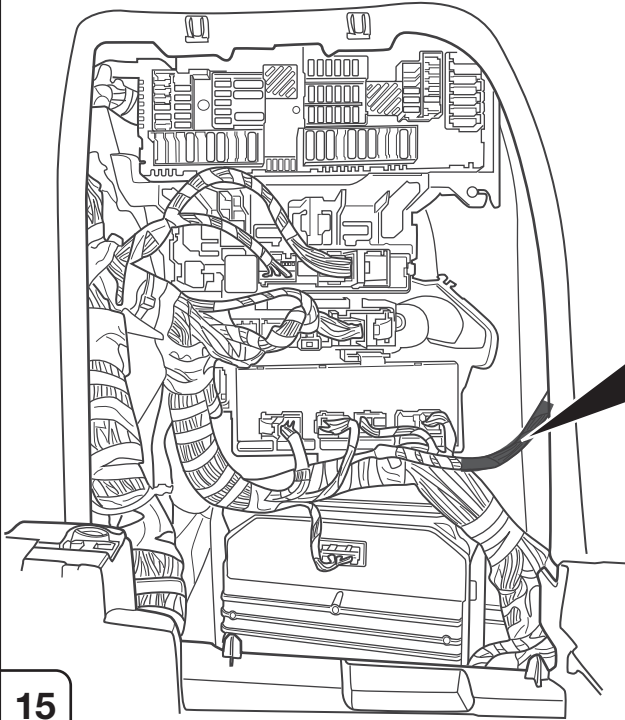
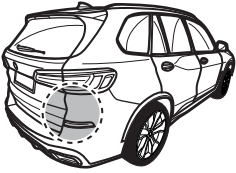


13

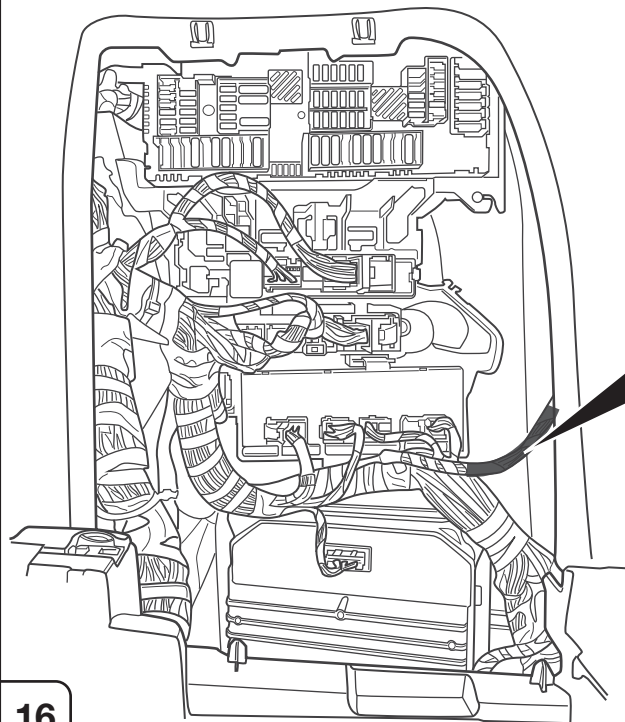
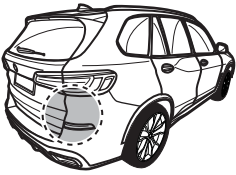
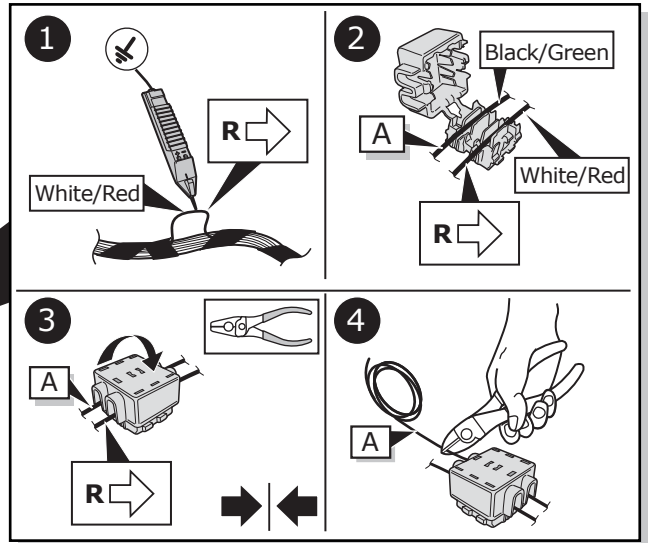


14

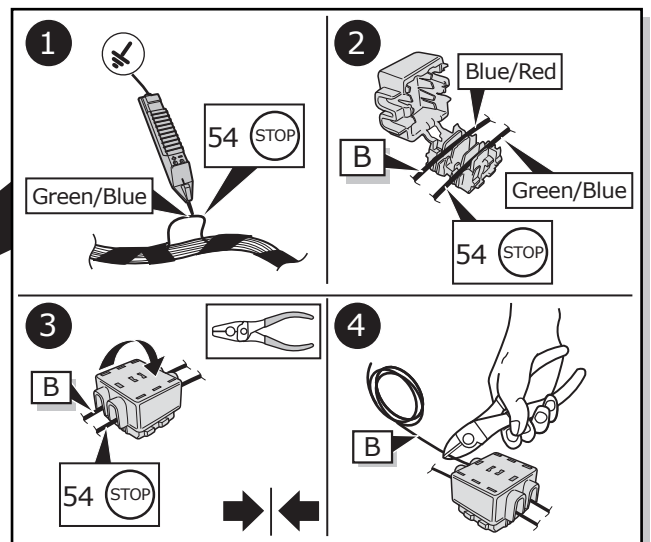




15



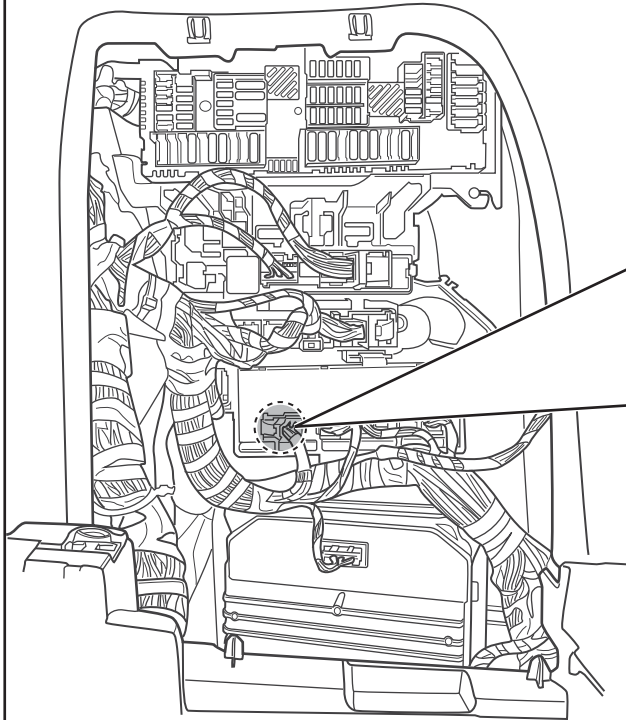
16



CAN-Data Wire

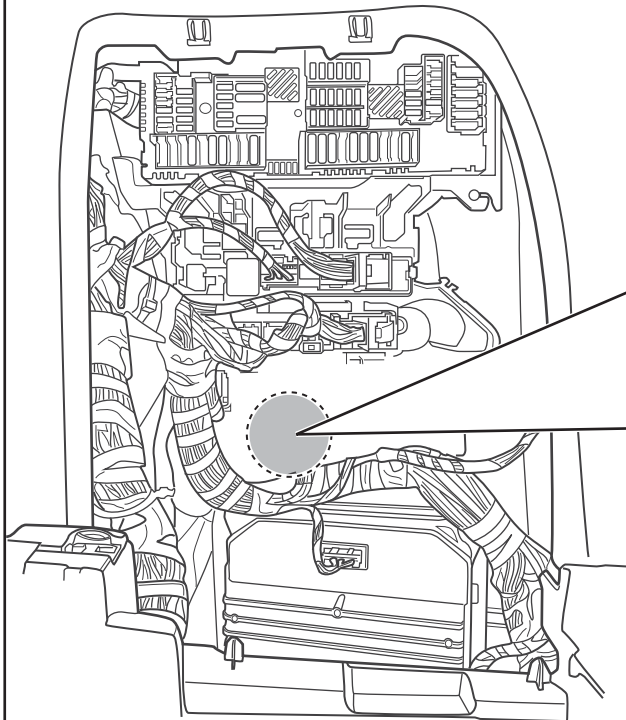
Yellow/Red or Blue/Grey

Yellow/Brown or Brown/Grey



Option 1

Boot lid module



No CAN-data wire available in boot



Option 2

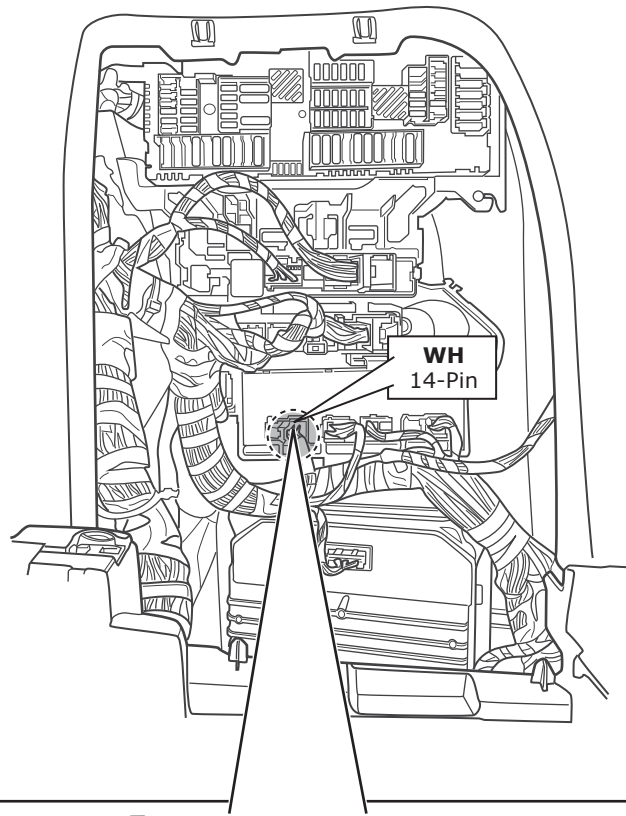
Option 3

Option 1

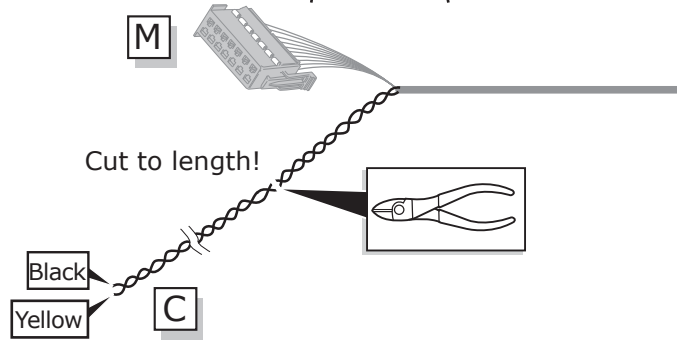
BMW X5 G05

BMW X6 G06

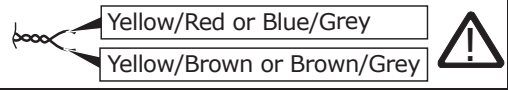
BMW X7 G07



1



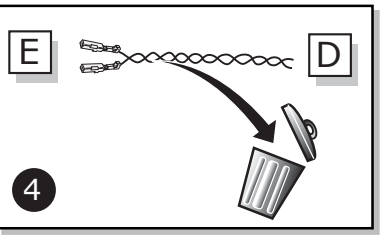
CAN-Data Wire



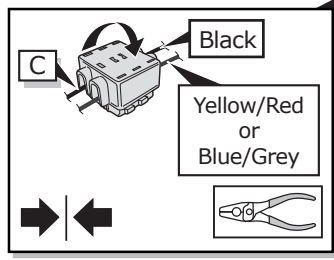
Important!
Please note
informations in
picture 1!

Yellow/Red
CAN High =
or
Blue/Grey
14-pin connector **White**
Chamber 13

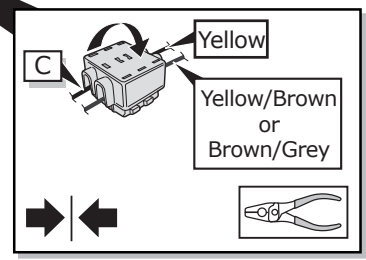
Yellow/Brown
CAN Low =
or
Brown/Grey
14-pin connector **White**
Chamber 14



2

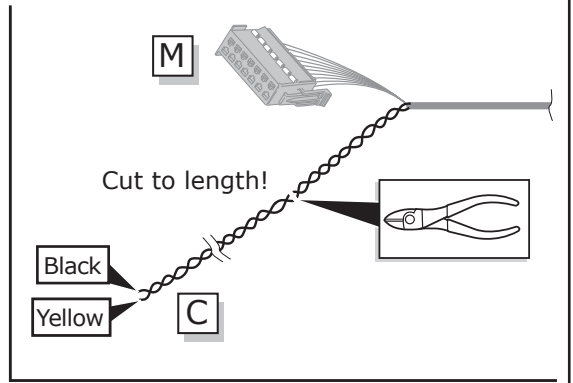
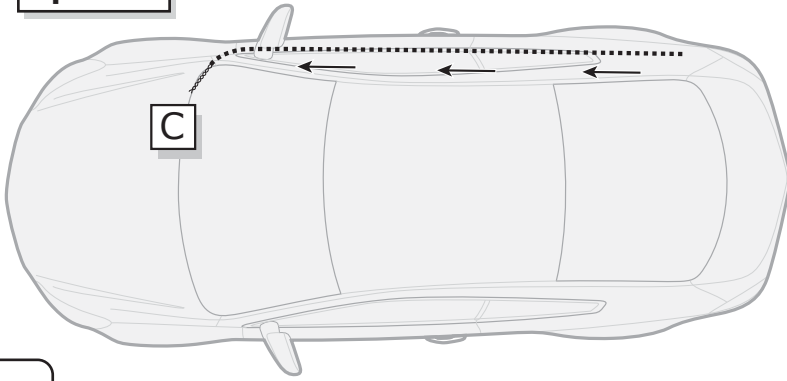


3



Option 2

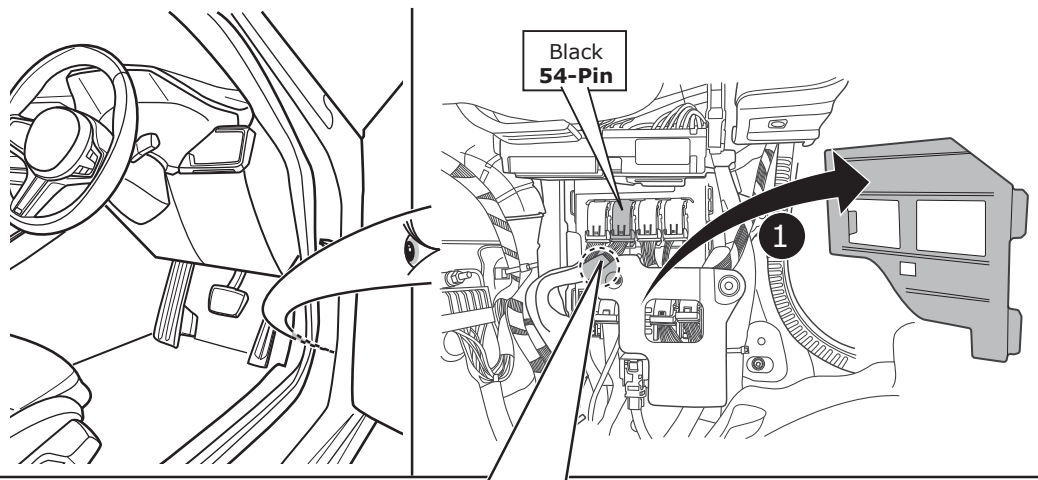
Option 3



19

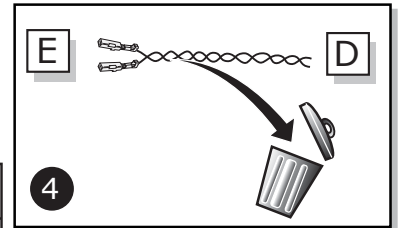


Option 2



CAN-Data Wire

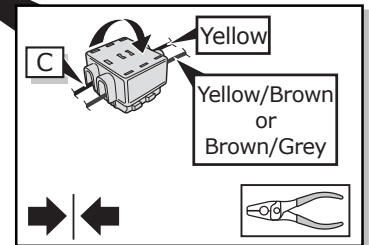
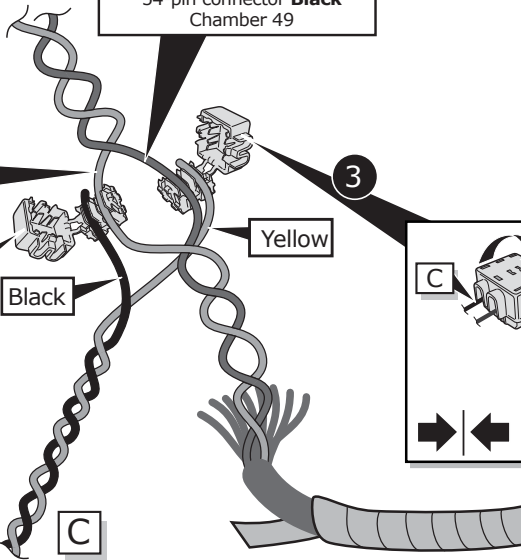
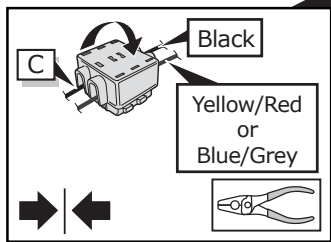
Yellow/Red or Blue/Grey
Yellow/Brown or Brown/Grey



Important!
Please note
informations in
picture 1!

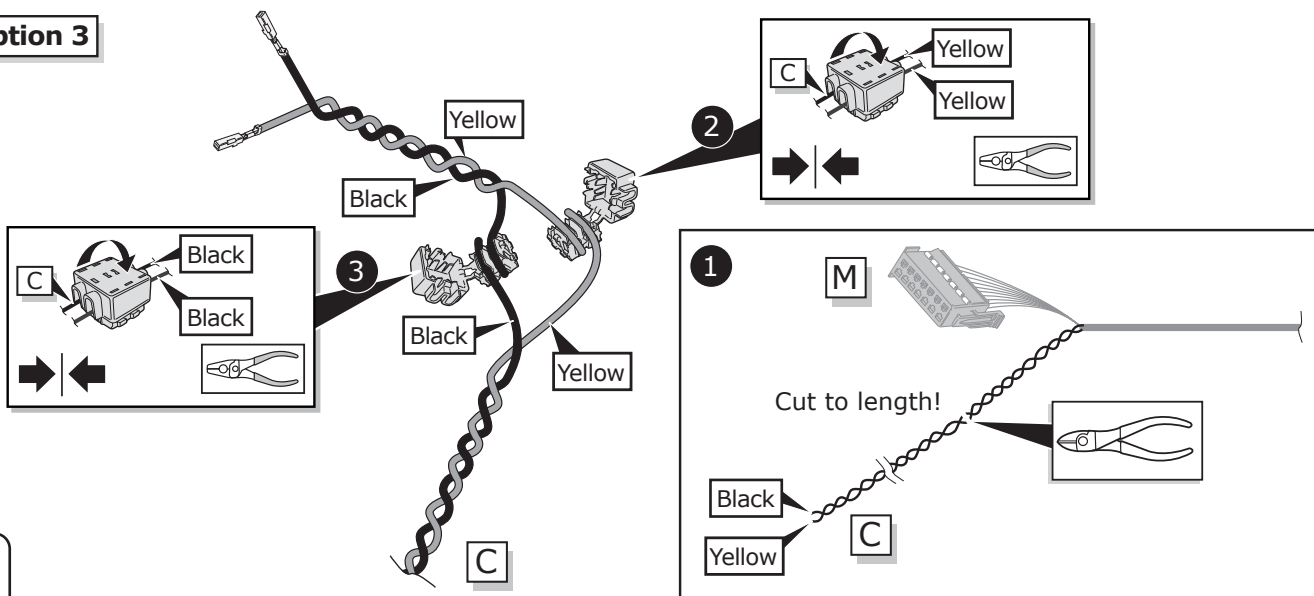
CAN Low
Yellow/Red or Blue/Grey
54-pin connector **Black**
Chamber 50

CAN Low
Yellow/Brown or Brown/Grey
54-pin connector **Black**
Chamber 49



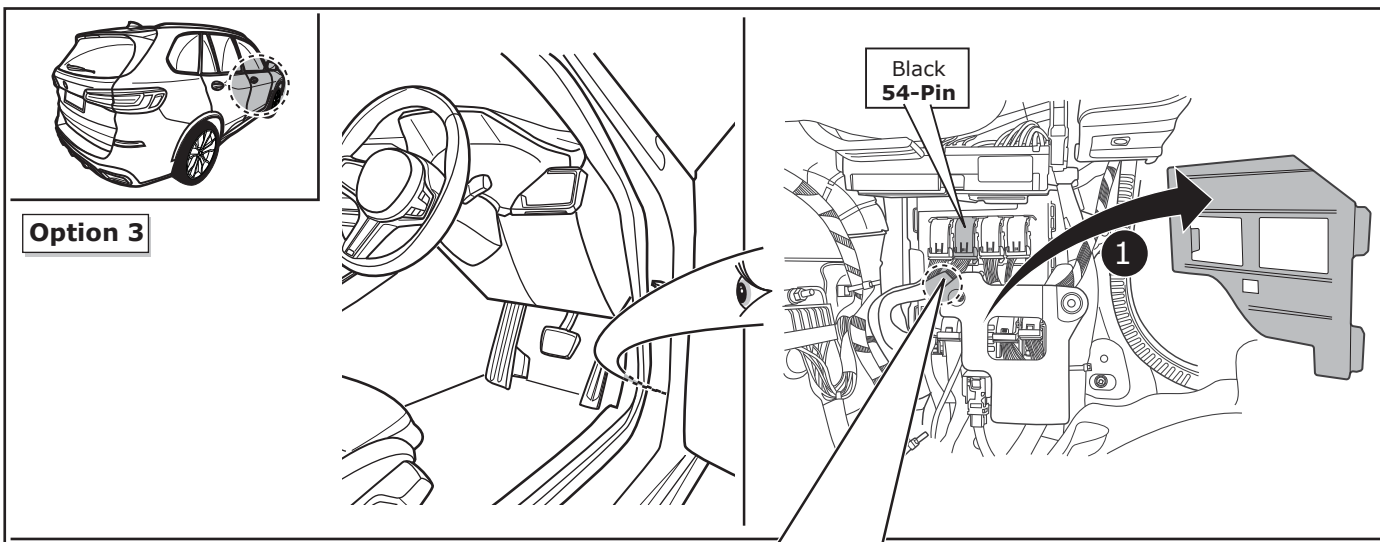
20

Option 3



21

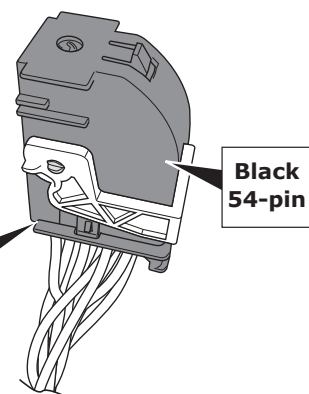
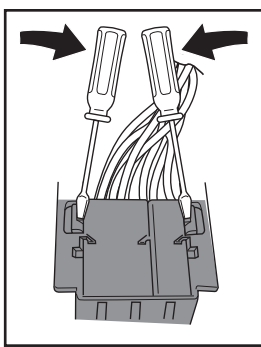
Option 3



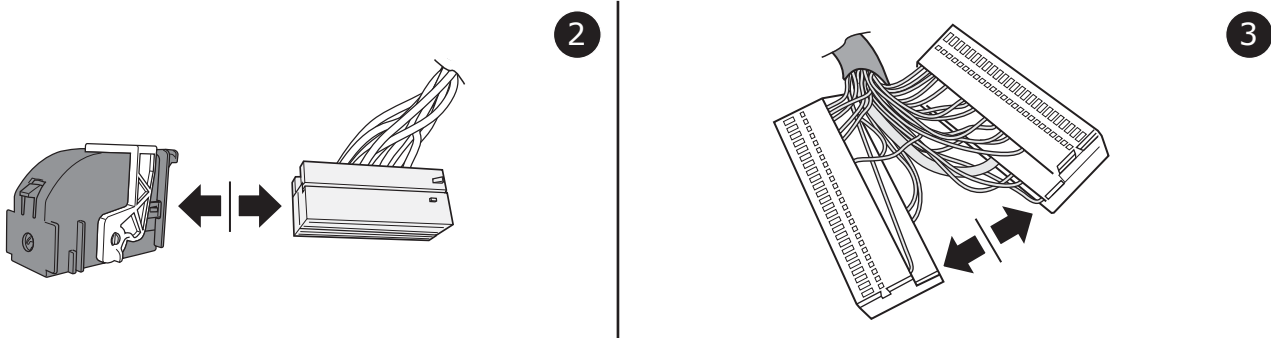
CAN-Data Wire



Important!
Please note
informations in
picture 1!

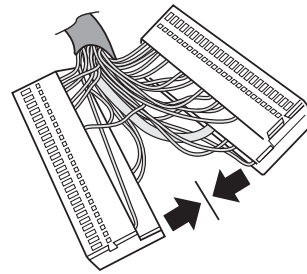
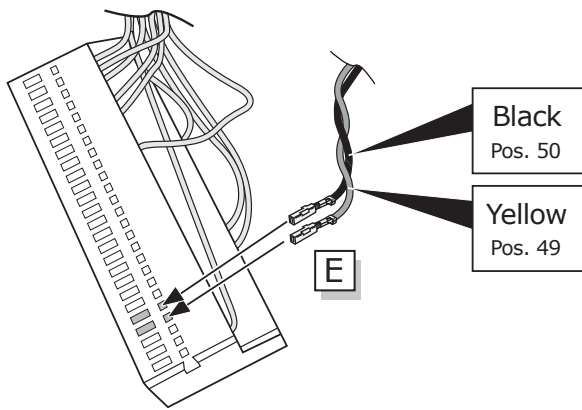


22

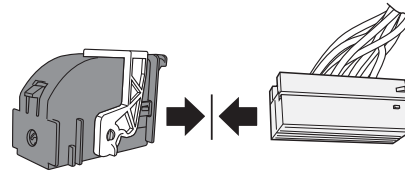


Option 3

4

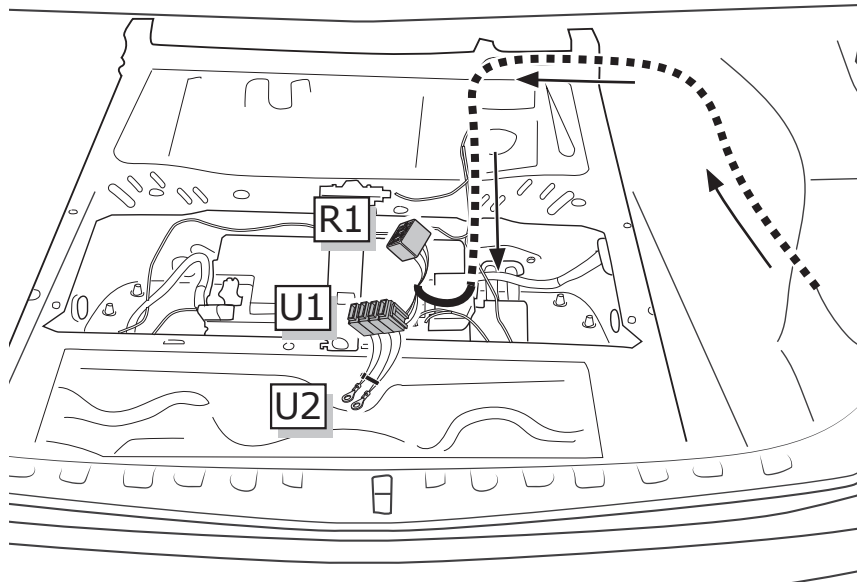
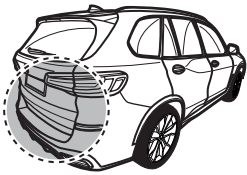


5

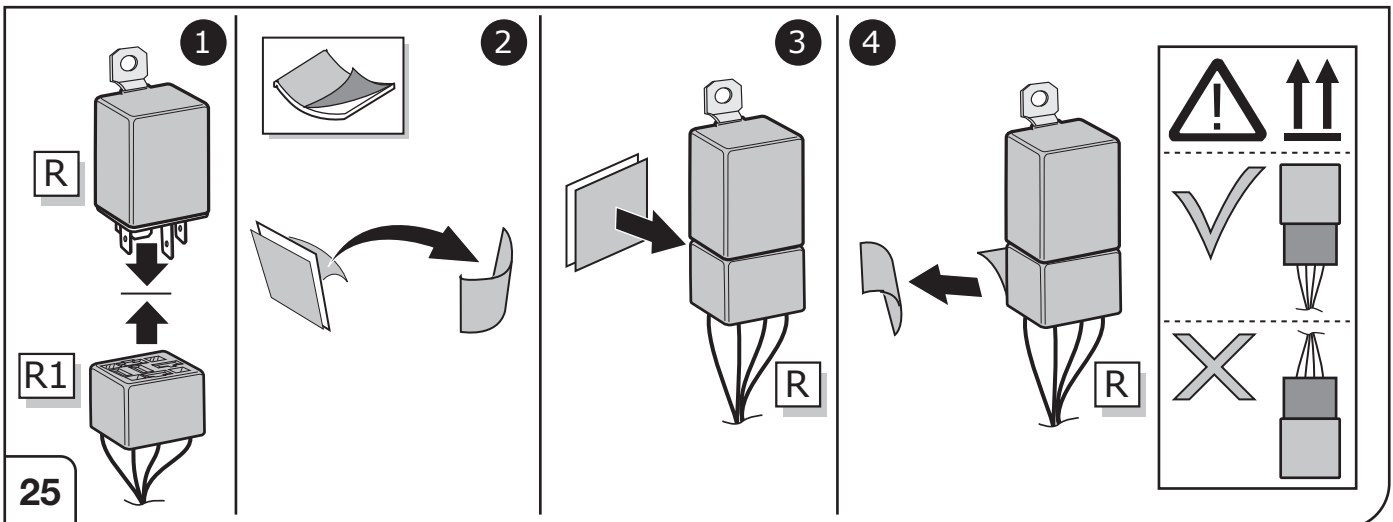


6

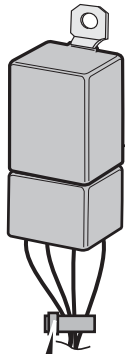
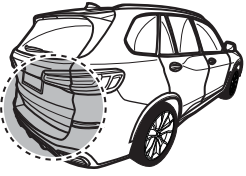
23



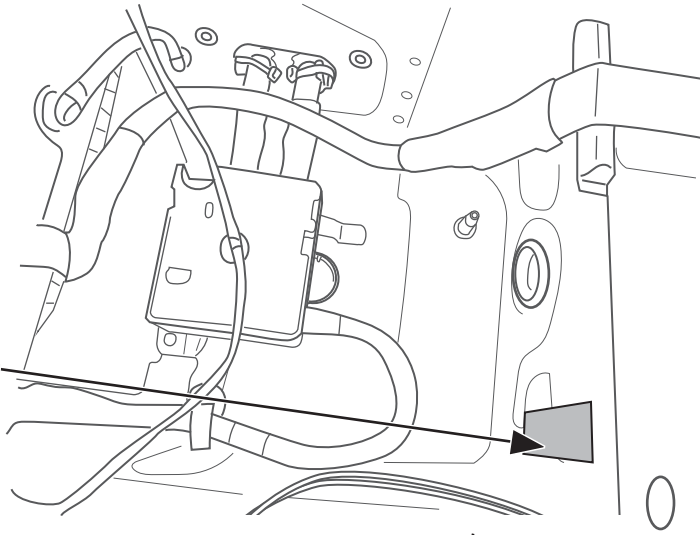
24



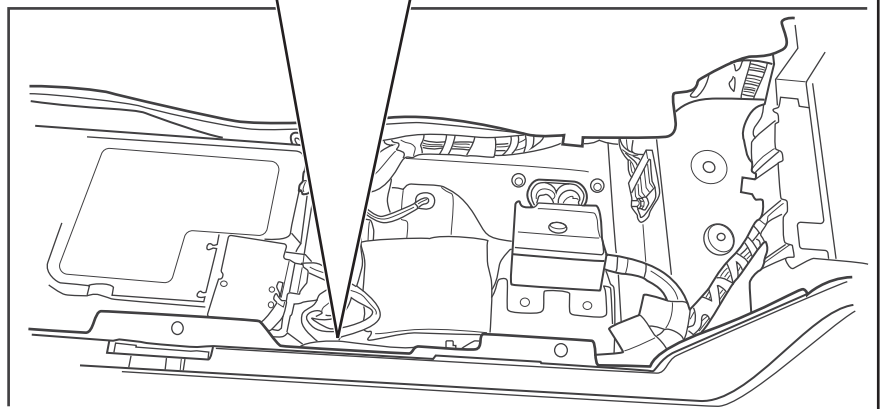
25



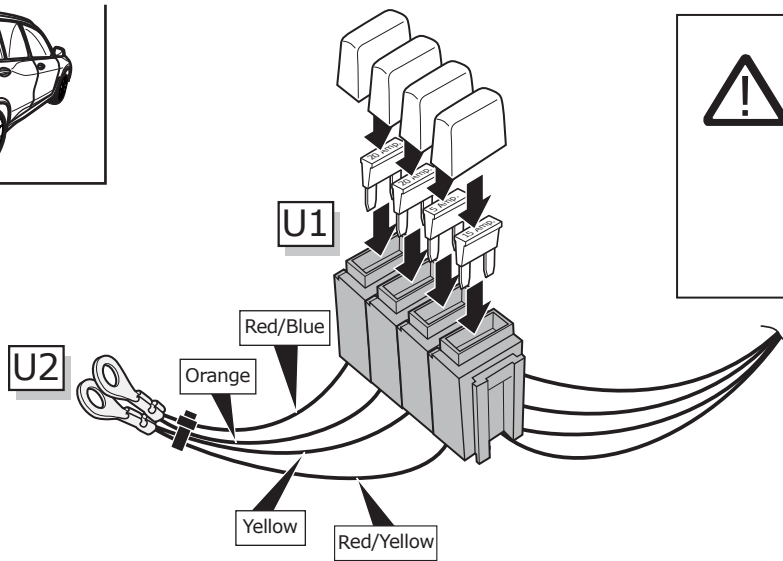
1



2

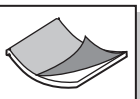


26



	20 Amp. minifuse Red/Blue	20 Amp. minifuse Orange
	5 Amp. minifuse Yellow	15 Amp. minifuse Red/Yellow

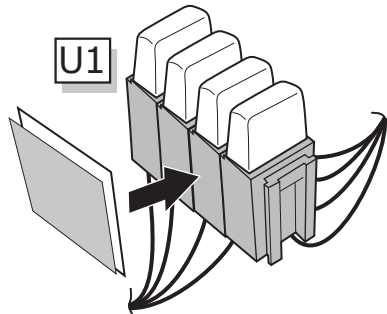
27



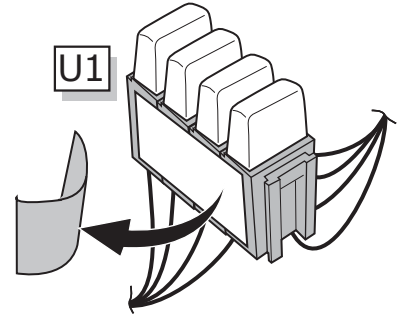
1



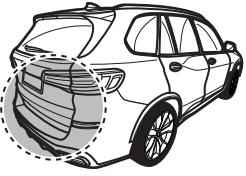
28



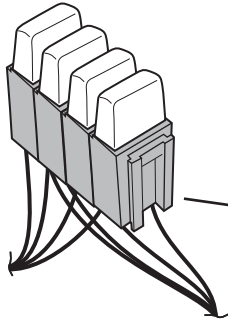
2



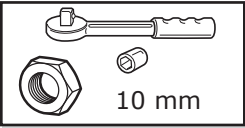
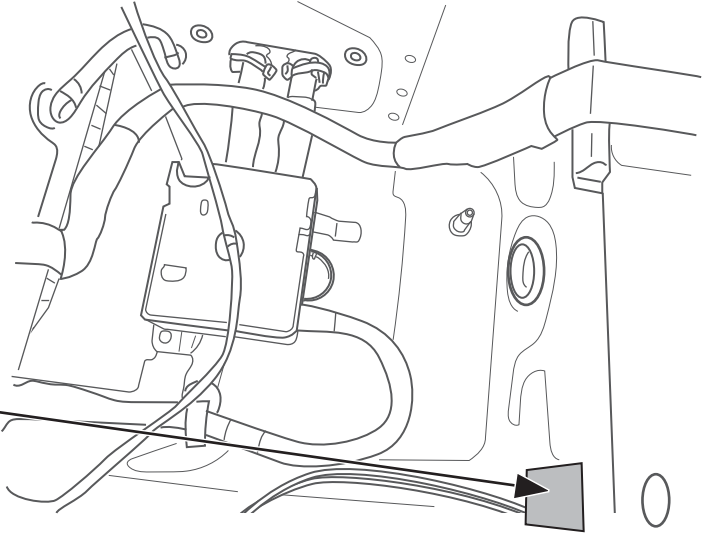
3



U1



1



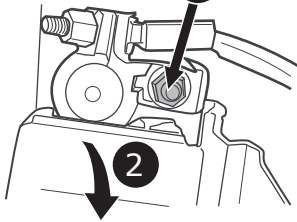
+



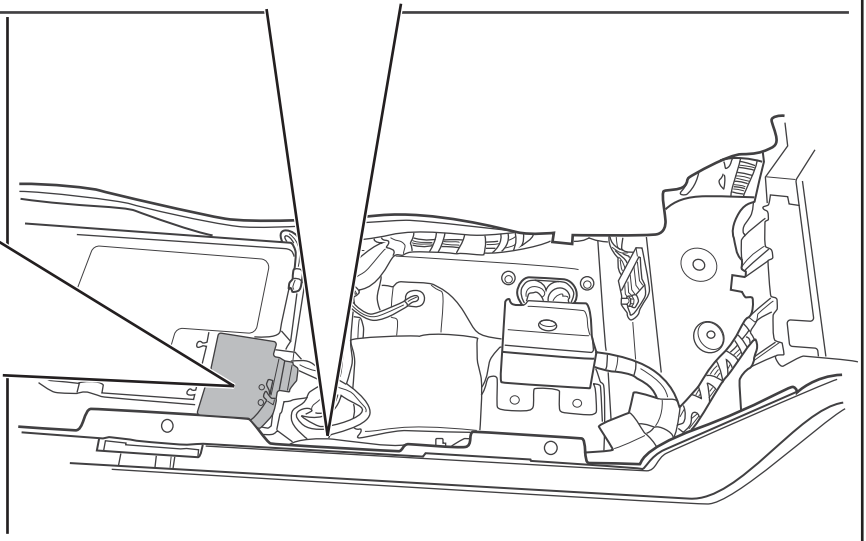
U2

B+ /30

3

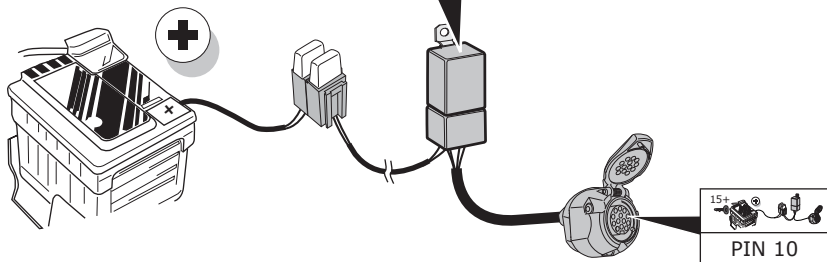
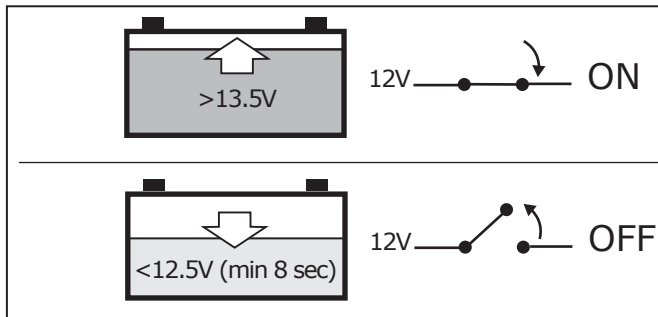


2



29

INFO



30

IMPORTANT!

The Voltage Control Module (VCM) in this kit is designed to be self switching at a pre-set voltage input. With the engine started, the switched output (e.g. caravan fridge or alternative), pin 10, will switch on at a preset figure of 13,5 volts.

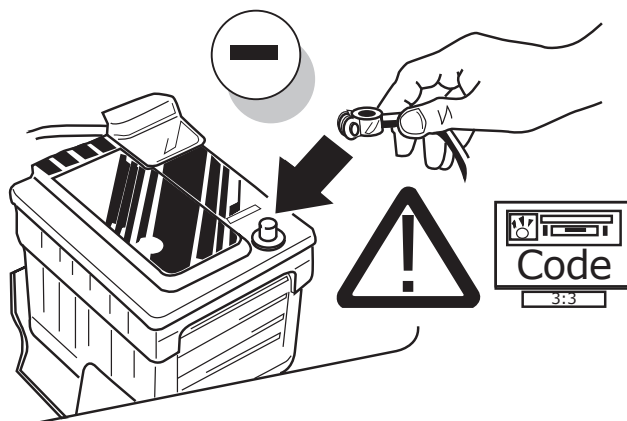
When the engine is switched off, the switched output will remain live until the vehicle battery voltage drops to a preset figure of approx 12,5 volts.

NOTE: The cut-off voltage depends on the condition of the vehicle battery, power consumption of the fridge etc. In all cases, the cut-off figure is preset so the vehicle engine can be started at any time.

For vehicles equipped with smart alternators and battery monitoring devices, the general operating voltage may not be high enough to switch on the relay.

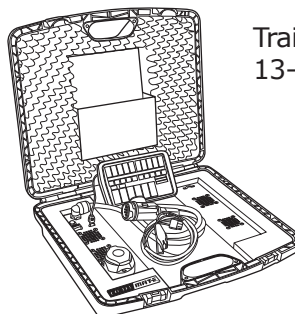
Therefore, we recommend turning on the headlights when towing.

31



32

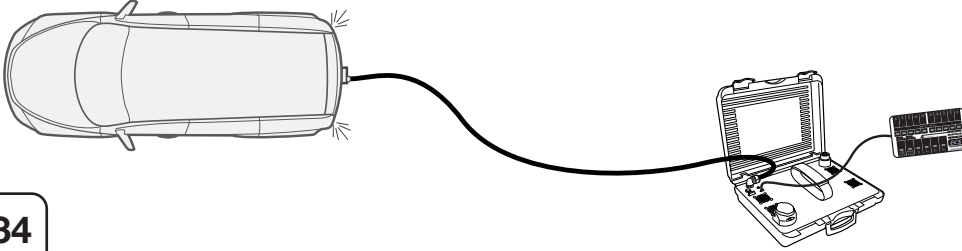
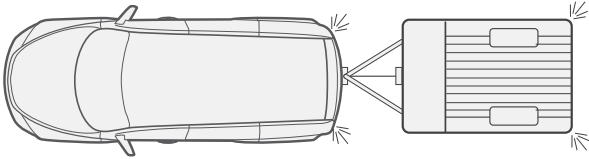
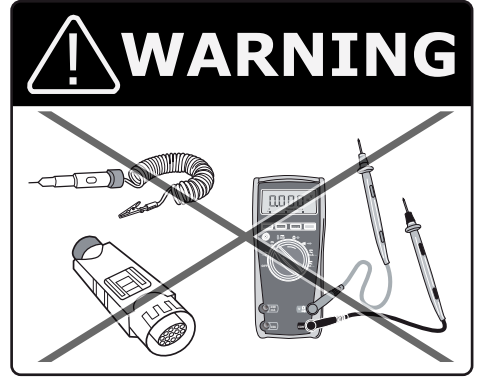
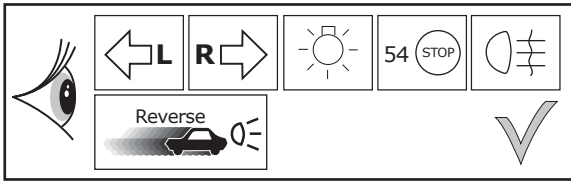
Optional



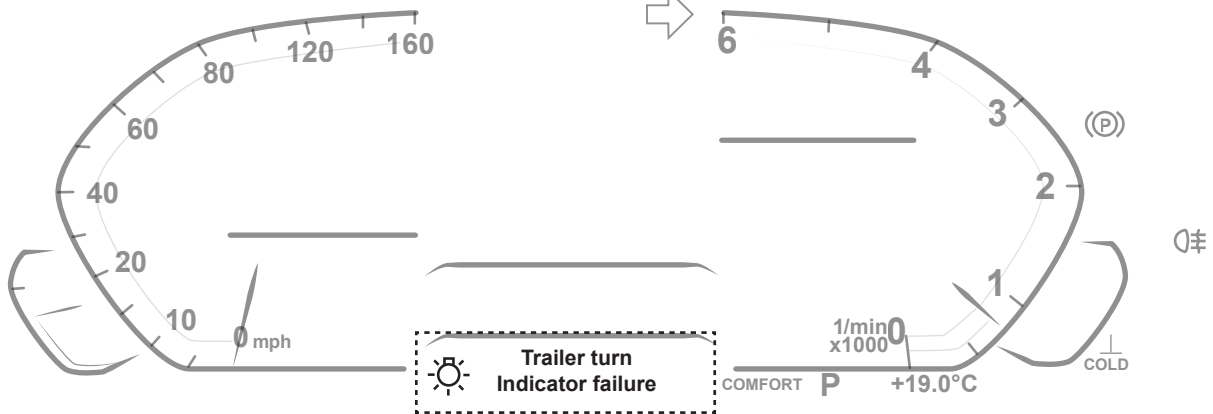
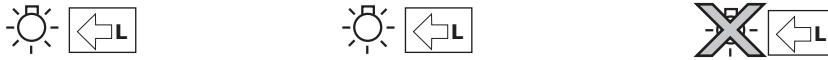
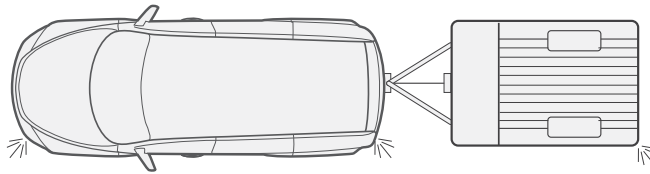
Trailer Simulator for 7- and 13-pin Sockets

33

Functional test



34



35



The following lamp functions for the trailer are not supported by all towing vehicles with DRL circuit:

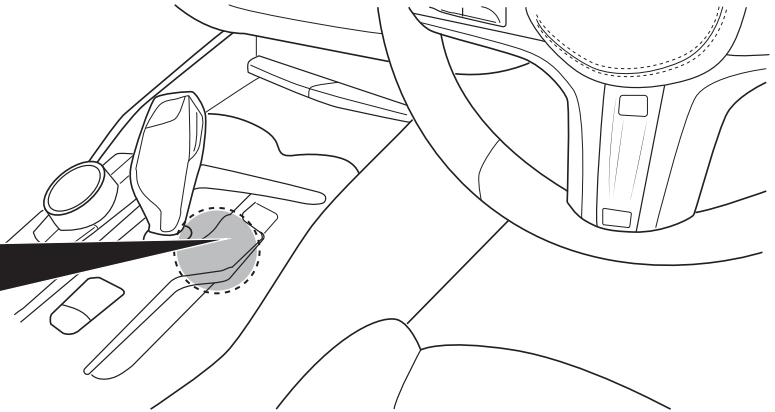
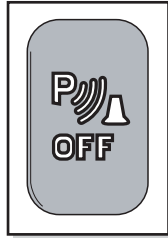
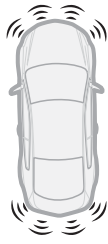
- Rear lights
- Side lights
- Numberplate lights

The parking lights or dimmed headlights must be switched on to activate this function!

36



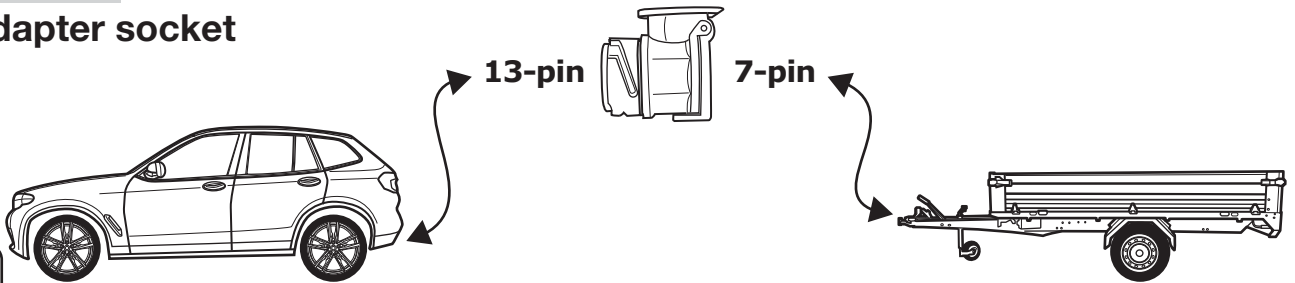
Front and rear PDC



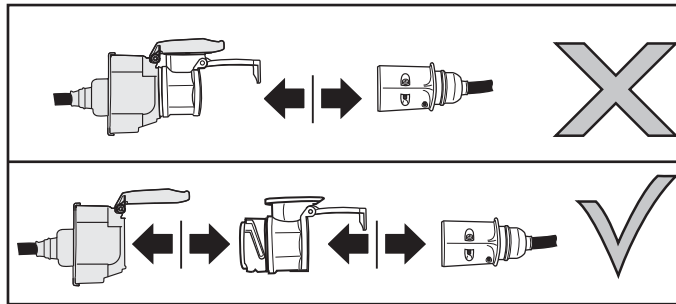
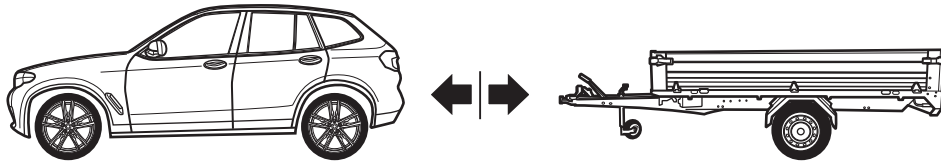
37

Optional

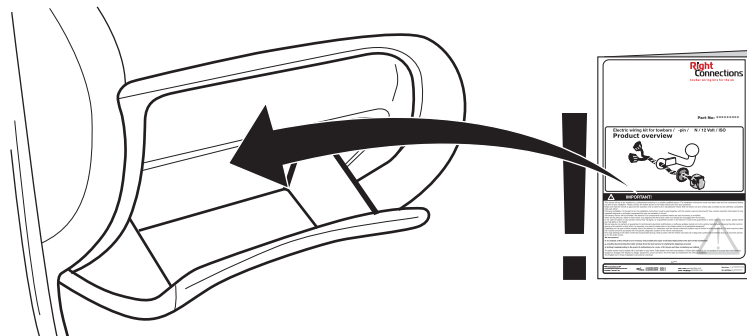
Adapter socket



38



39



40