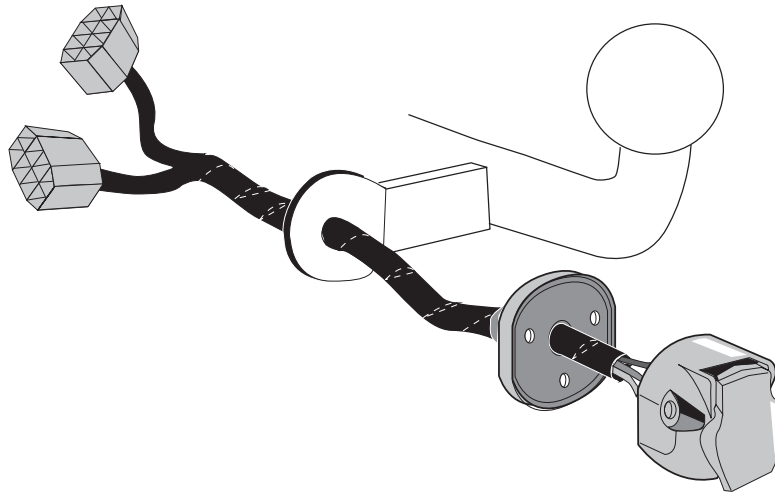


Volkswagen

Passat Saloon 03/05->10/10
 Passat Estate 08/05->10/10
 Passat CC 06/08->
 Jetta 08/05->12/10

Part No: VW-195-07M

Electric wiring kit for towbars / 7-pin / 12N / 12 Volt / ISO 1724 Fitting instructions



IMPORTANT!

This electric kit has to be installed by a professional workshop or a suitable qualified person. The installation instructions must have been read and fully understood before the start of any installation. Please contact your wiring kit provider or the hotline shown in the footer should you need assistance!

Make sure the vehicle is approved/homologated by the manufacturer to tow a trailer!

Also please check that there is a definite compatibility between this vehicle and the electric kit!

Following the installation of the electric kit, the fitting instructions should be kept together with the vehicle service document and vehicle handbook. The fitting instructions contain important information relating to the use and function of the towing kit as well as for any diagnostic or activation process, that might have to be repeated in the future (e.g. after the performance of a vehicle software update).

All warranty claims will be forfeited if the electric kit or components contained therein are used incorrectly or modified. If a towing socket adaptor has been used to connect to the trailer or bike rack, this must be removed from the trailer socket once the trailer or bike rack has been disconnected.

If the trailer or bike rack is not equipped with a rear fog lamp, depending on the towing vehicle type, the correct function of the towing kit cannot be guaranteed. In such cases, a rear fog lamp should be retro fitted.

This towing electric kit will not be covered under warranty if any technical or electrical modifications or software updates have been performed by the vehicle manufacturer after the initial commissioning of the kit. That applies especially to modifications or updates which may cause malfunctions in the trailer socket or any other part of the trailer electrical equipment!

Depending on the type of trailer module used in this electric kit, diagnostic interrogation with the vehicle's electrical system may be limited or will not function. The error memory inside the trailer module may not be able to be accessed by vehicle manufacturers diagnostic system.

Error logs relating to the trailer electrical equipment, that may be generated in the vehicle manufacturers diagnostic system as a result of a test procedure, may be due to the incorrect installation of the towing electric kit or the false activation of the trailer module.

We always recommend whenever possible, the following troubleshooting process:

→ **An analysis of the vehicle's error memory and possibly clearing of all faults before the start of the installation!**

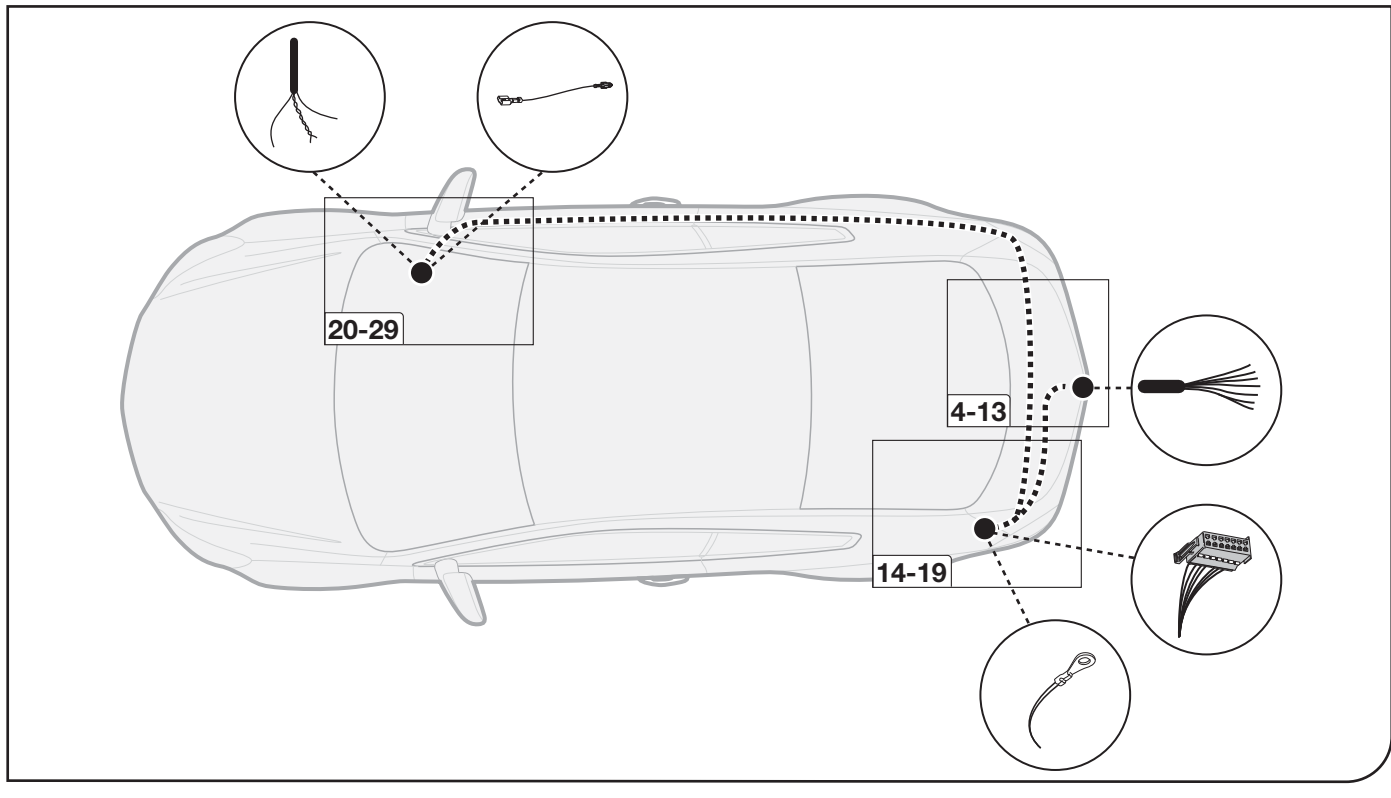
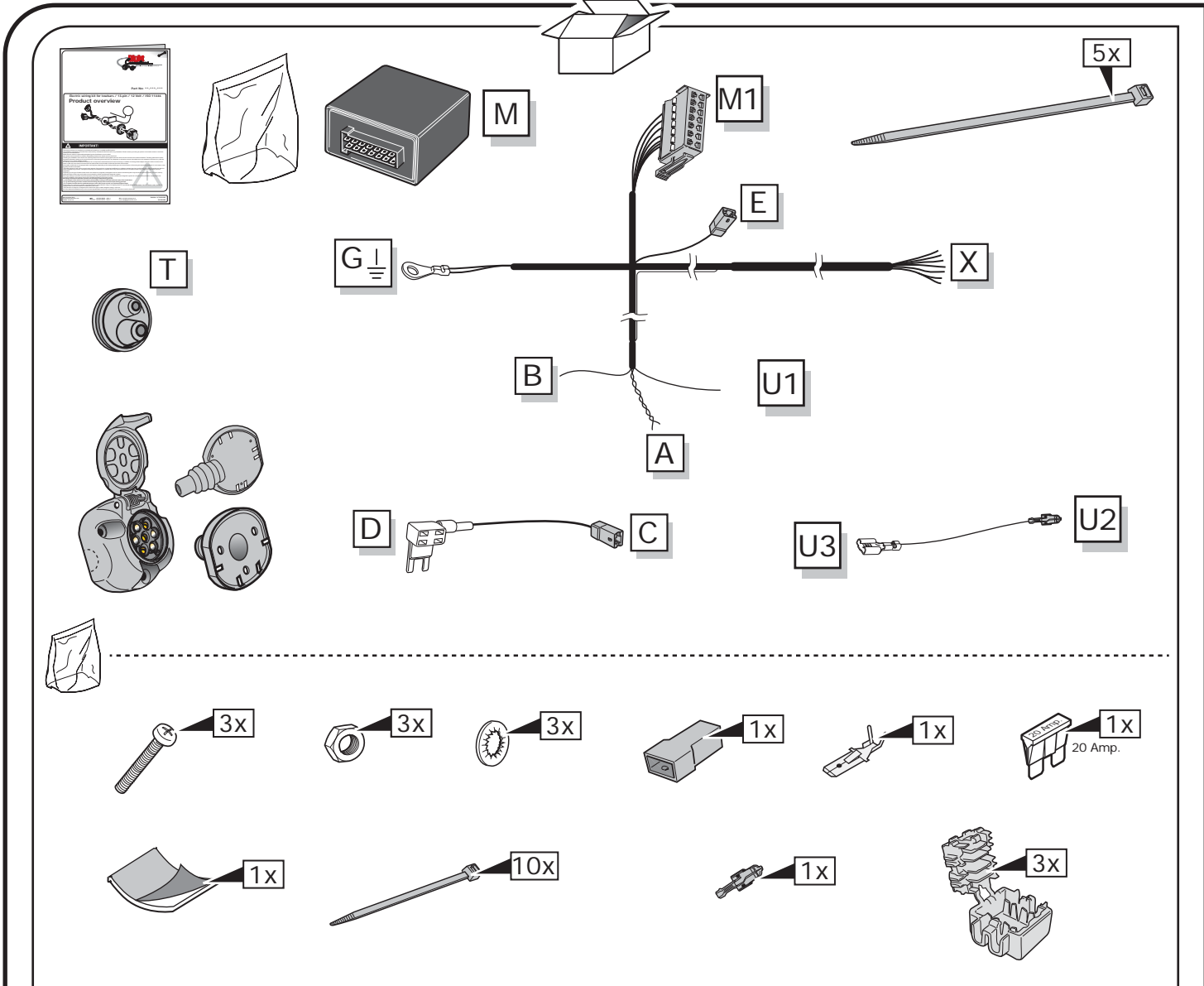
→ **Try disconnecting the trailer module from the towing harness and re-start the fault clearing process!**

→ **If in doubt, limit the time for troubleshooting to a max of 0,5 hours and call our Technical Support Team!**

Please follow our instructions carefully and always test the towing electrics using a true lighting board or a specifically designed bulb tester. If an LED tester is used, ensure it is equipped with correct load resistors or malfunctions will occur!

This instruction is subject to changes and we reserve the right to make changes to design, colour etc.

All of the data and illustrations may not be an exact representation but the text contained in this instruction must be observed!

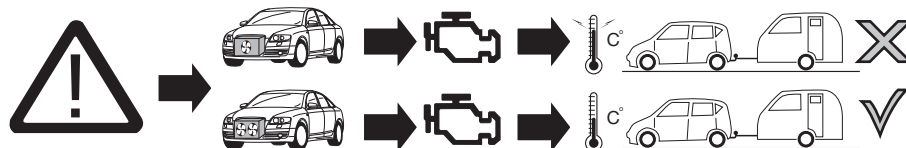
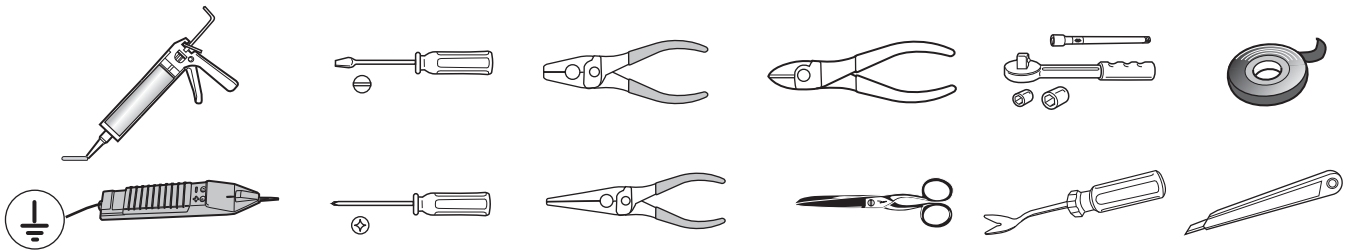


SYMBOL EXPLANATION

	Left (58-L) respectively Right (58-R) tail light
54	Stop light (54) / high mounted, third stop light (54)
	Turn signal indicator left
	Turn signal indicator right
	Rear fog light(s)
	Reversing light(s)
	Permanent power supply / 13pin socket, chamber 9
	Charging wire for trailer battery / 13pin socket, chamber 10
	Trailer / trailer recognition
B+ / 30	Permanent current power supply
	Ground or Earth (31)
	Ground connection battery terminal lug
	Positive connection battery terminal lug

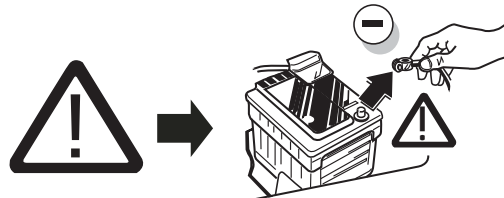
	Cigarette lighter / accessory socket
	Loudspeaker / buzzer
	Park Distance Control
	Switch / source of function
	Connect together
	Disconnect
	Look at / See further information
	Look carefully at selected area
	Present / Occupied / OK
	Not present / Not occupied / Not OK
	Acoustic indication
	Attention / important advice
	Fuse / fuse capacity 20 Ampère

TOOLS



ATTENTION!

The vehicle's cooling capacity may have to be increased when retrofitting a trailer coupling!
You must observe the manufacturer's instructions!!



Note: It may be necessary to check if this vehicle has a stored radio code before disconnecting the battery!



ATTENTION!

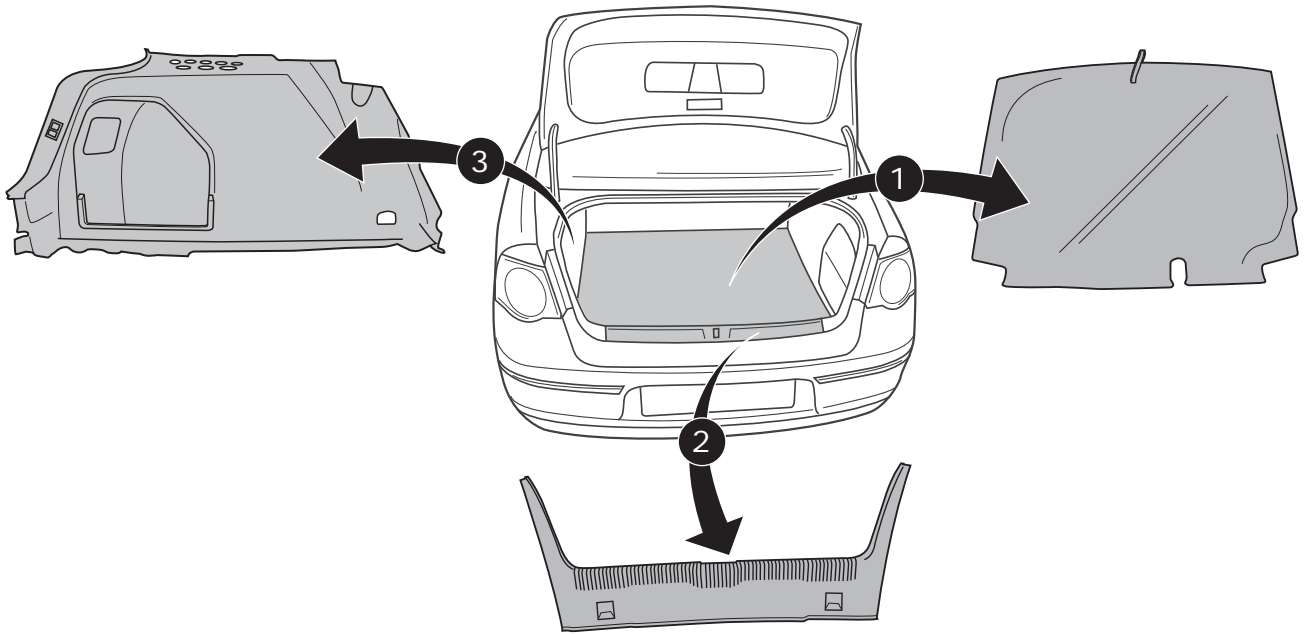
In order to avoid mal-functions and damage to the vehicle's electrical system the earth terminal **must be disconnected** from the vehicle's battery **before starting work!**

Both the trailer module and the vehicle's control unit for the electrical system can be damaged during work on the data bus connections if the battery is not disconnected!

1

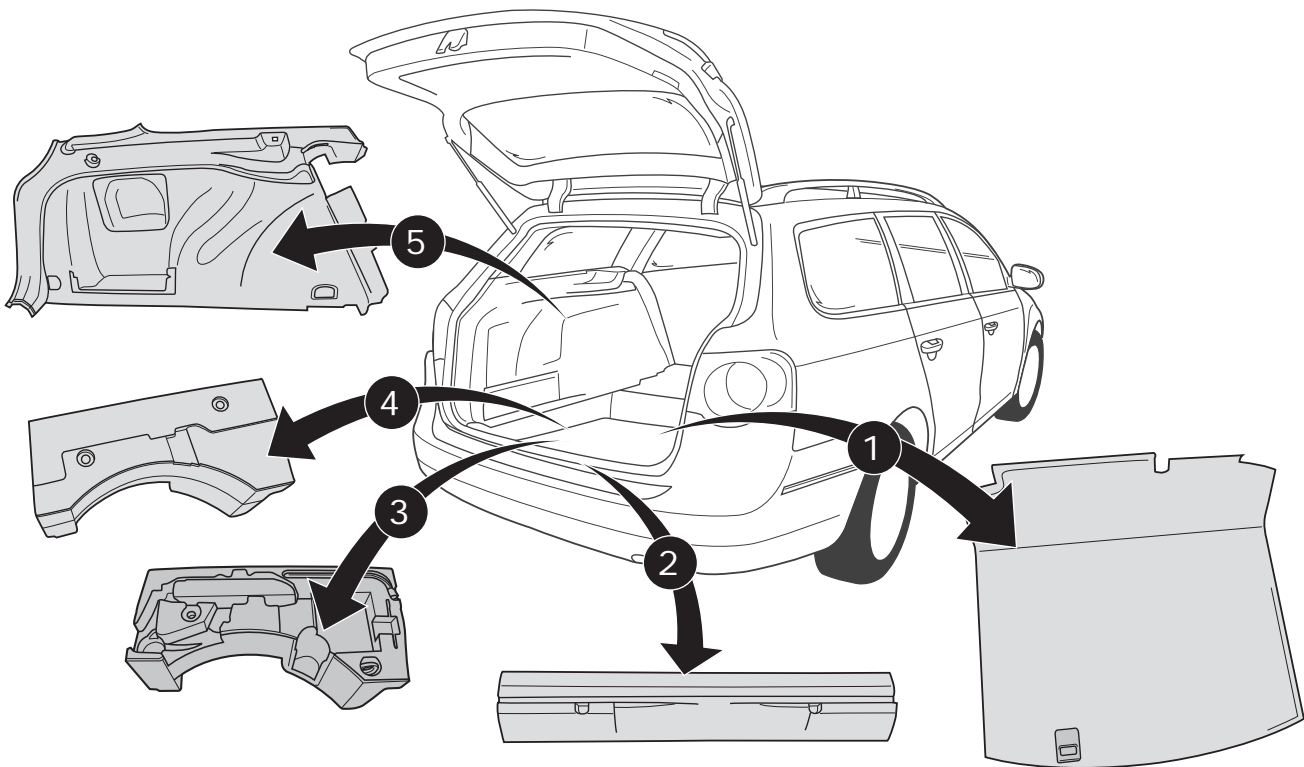
Please pay attention to the manufacturer's instructions when disconnecting and reconnecting the vehicle's battery!

Passat Saloon/ Passat CC/ Jetta



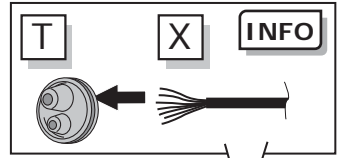
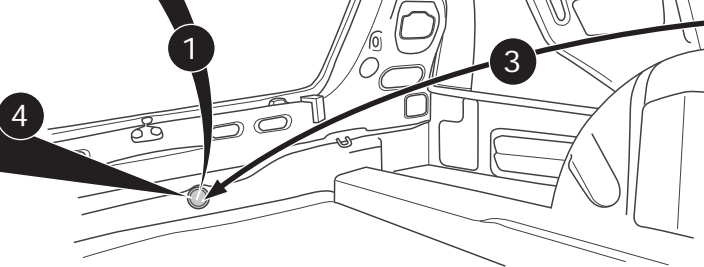
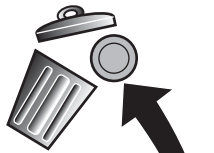
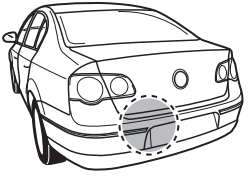
2

Passat Estate



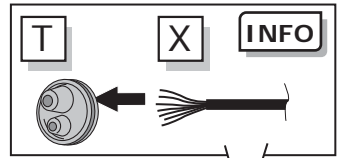
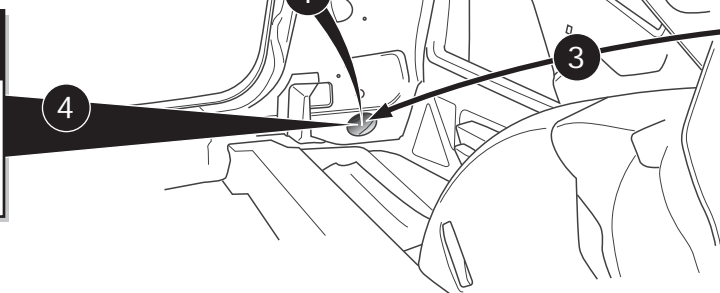
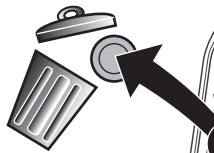
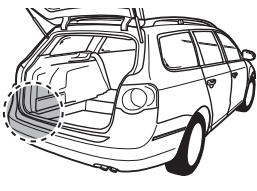
3

Passat Saloon/ Jetta



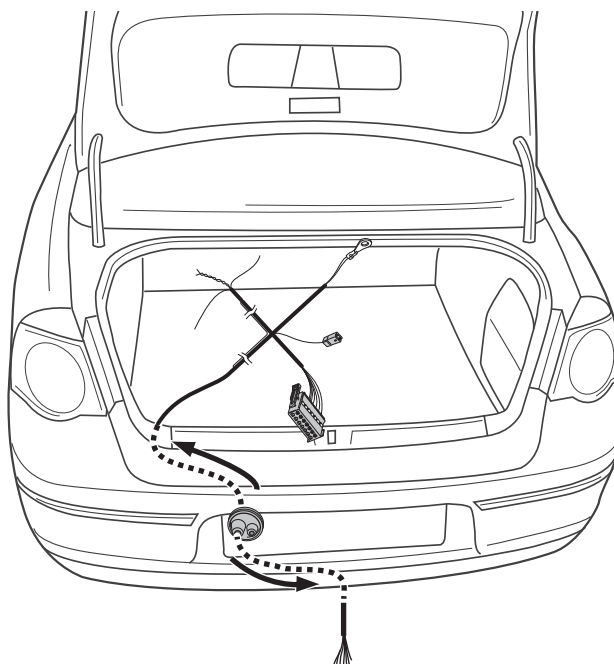
4

Passat CC/ Passat Estate



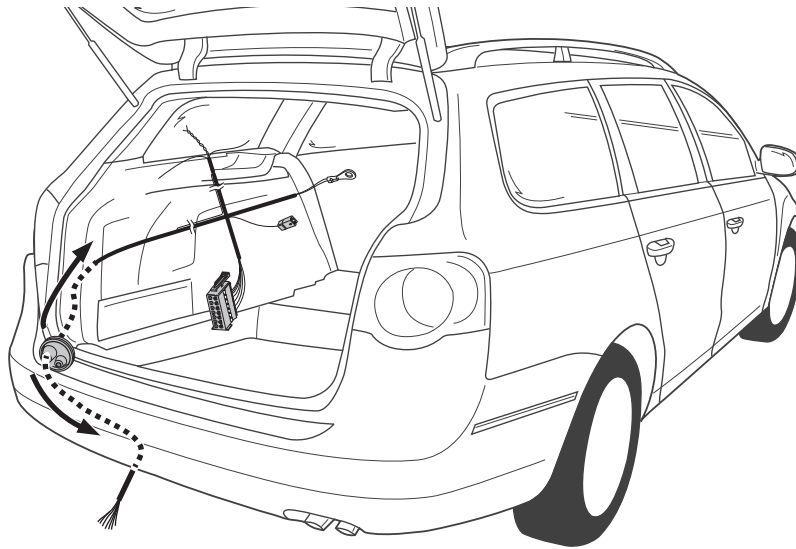
5

Passat Saloon/ Jetta



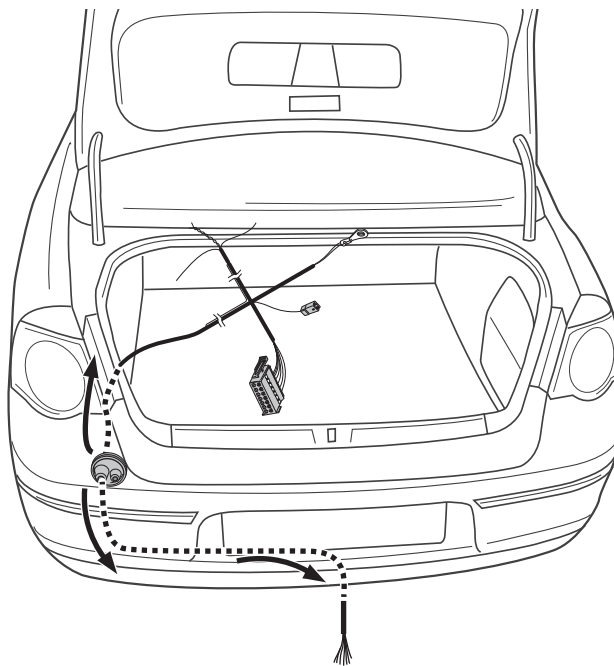
6

Passat Estate



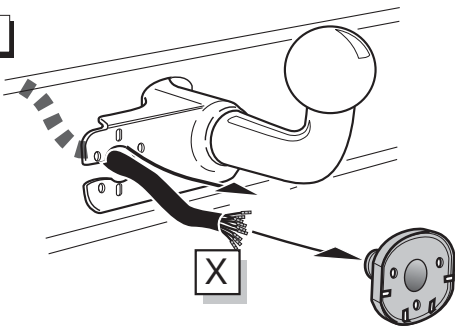
7

Passat CC



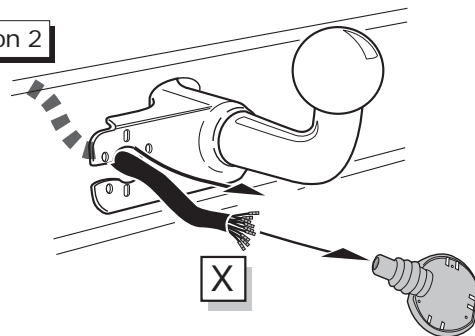
8

Option 1



9

Option 2

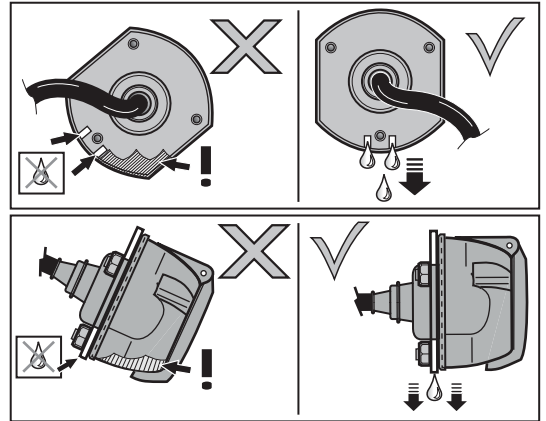
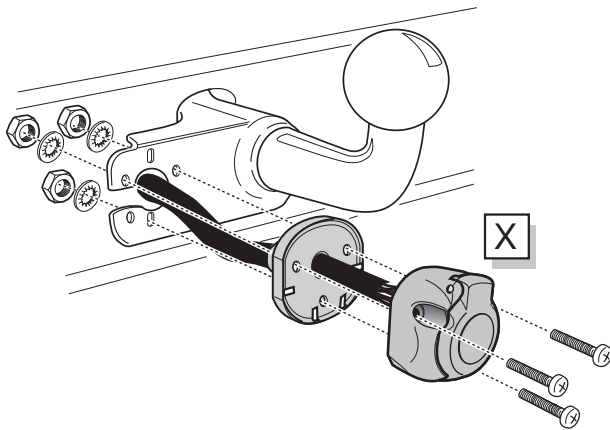


SOCKET CONNECTION

DIN/ISO 1724							
Pmax	1/L	2	3/31	4/R	5/58-R	6/54	7/58-L
	21W	21W		21W	42W	3x21W	42W
	Yellow	Blue	White	Green	Brown	Red	Black

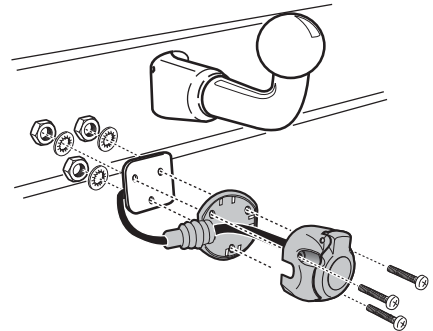
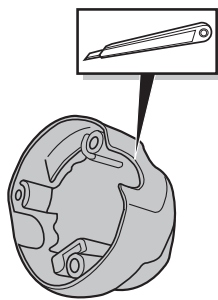
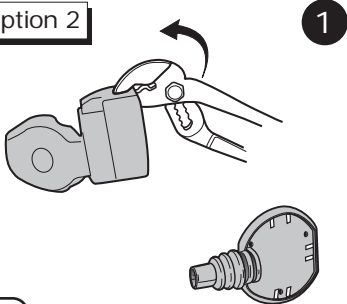
10

Option 1



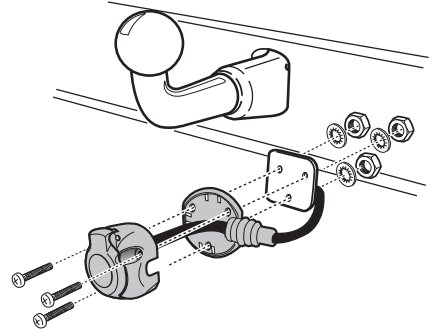
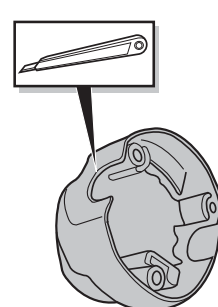
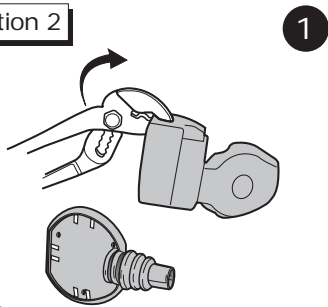
11

Option 2



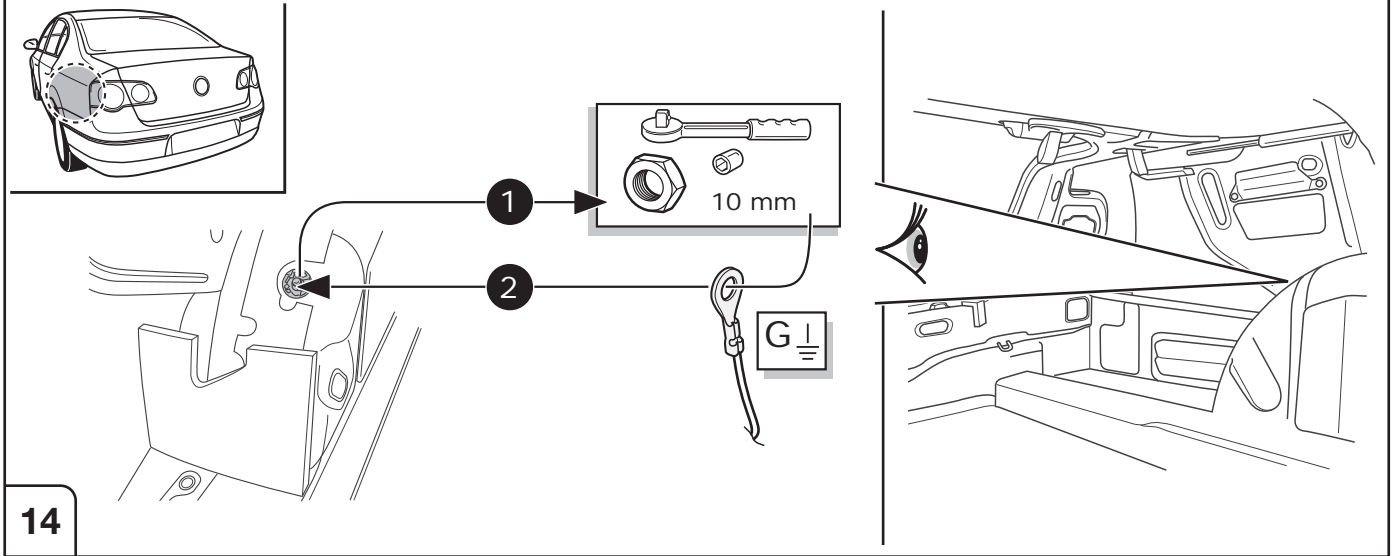
12

Option 2

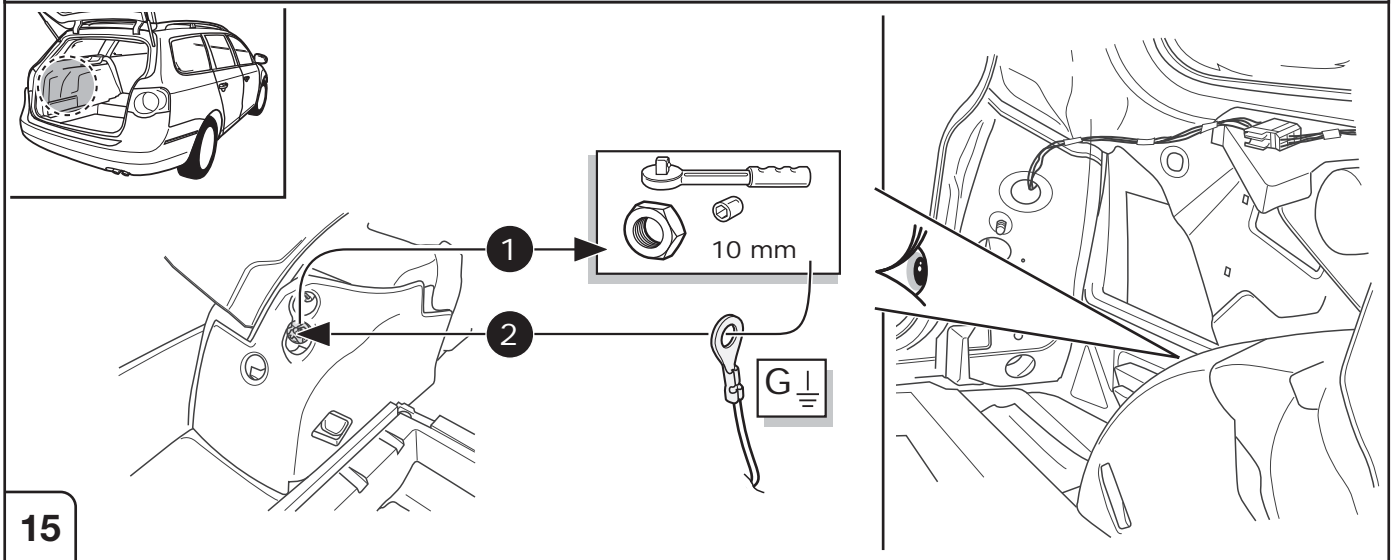


13

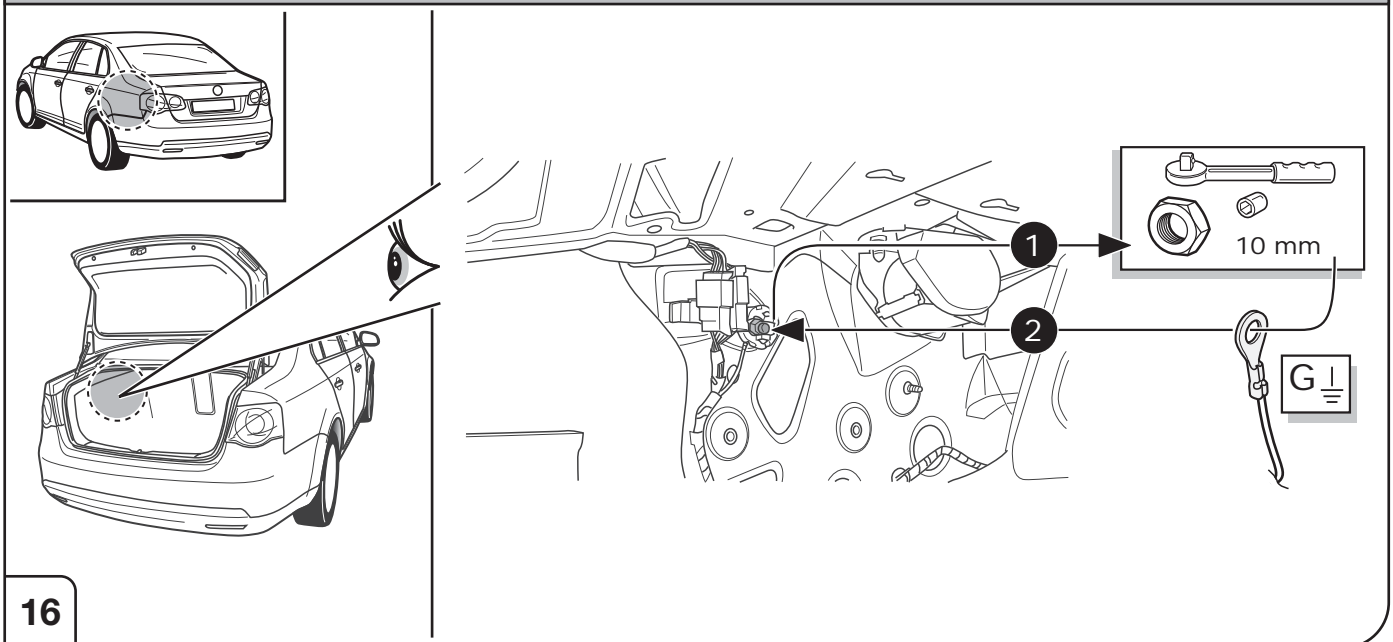
Passat Saloon/ Passat CC

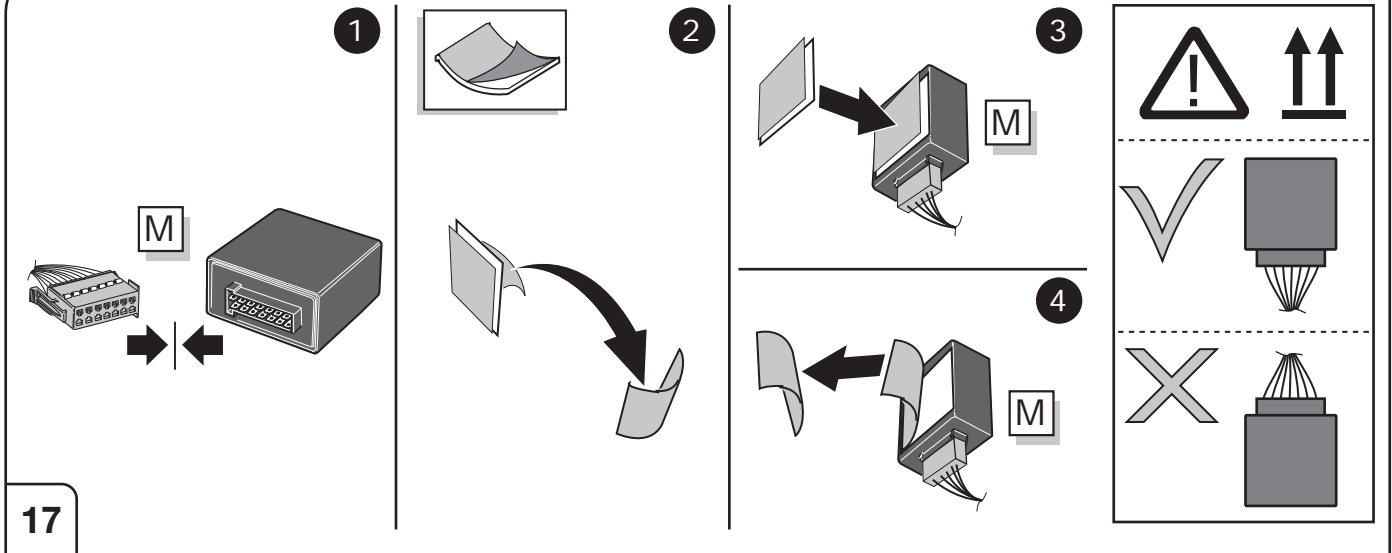


Passat Estate

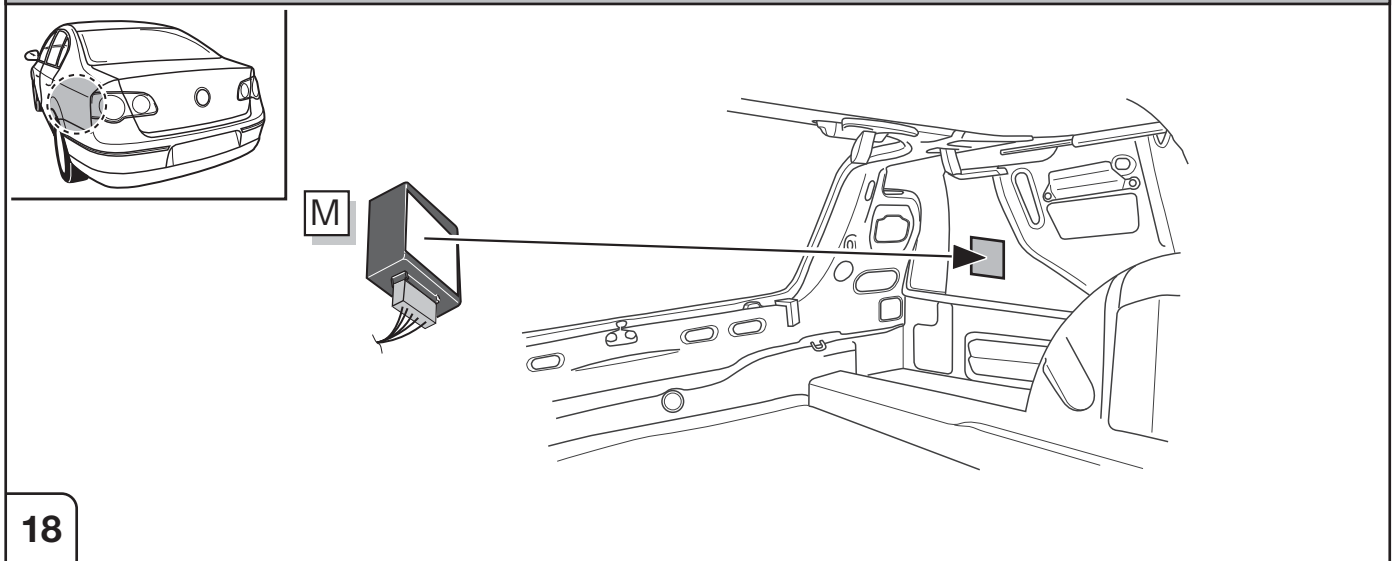


Jetta

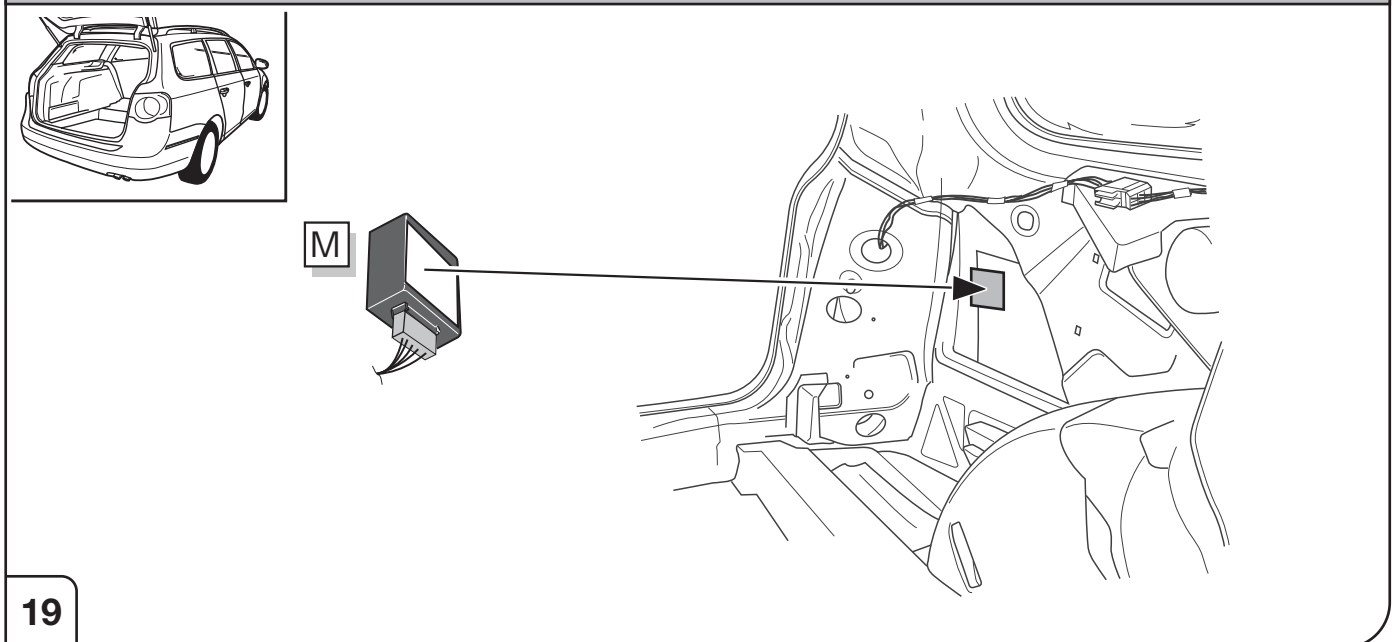


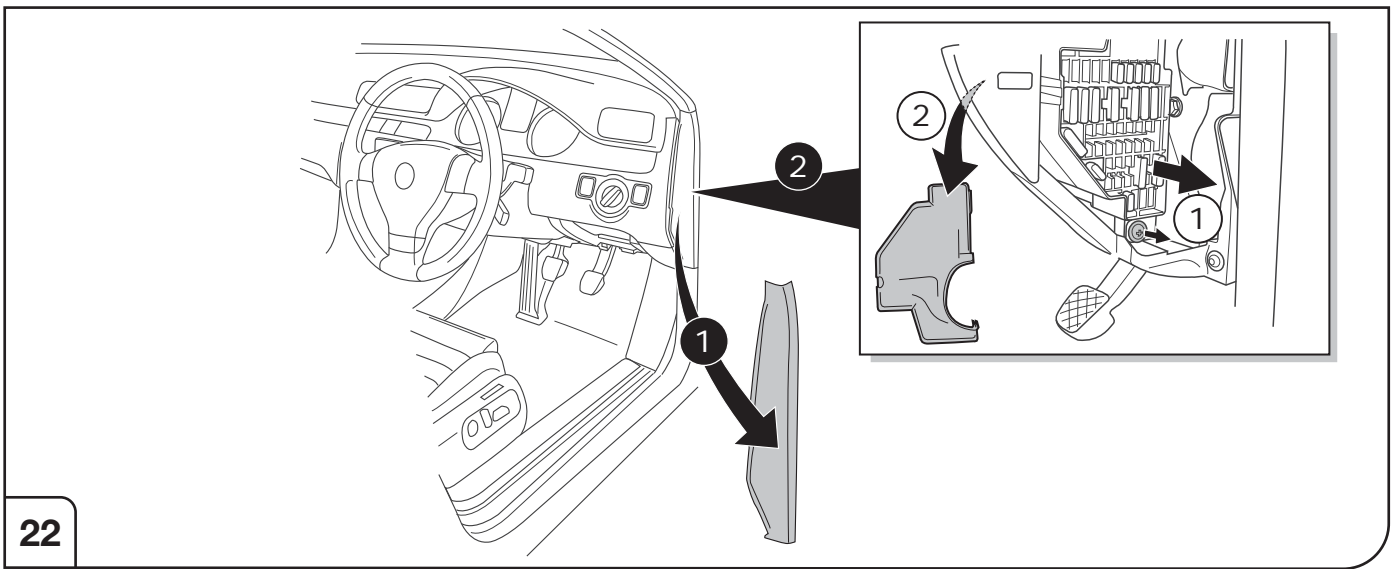
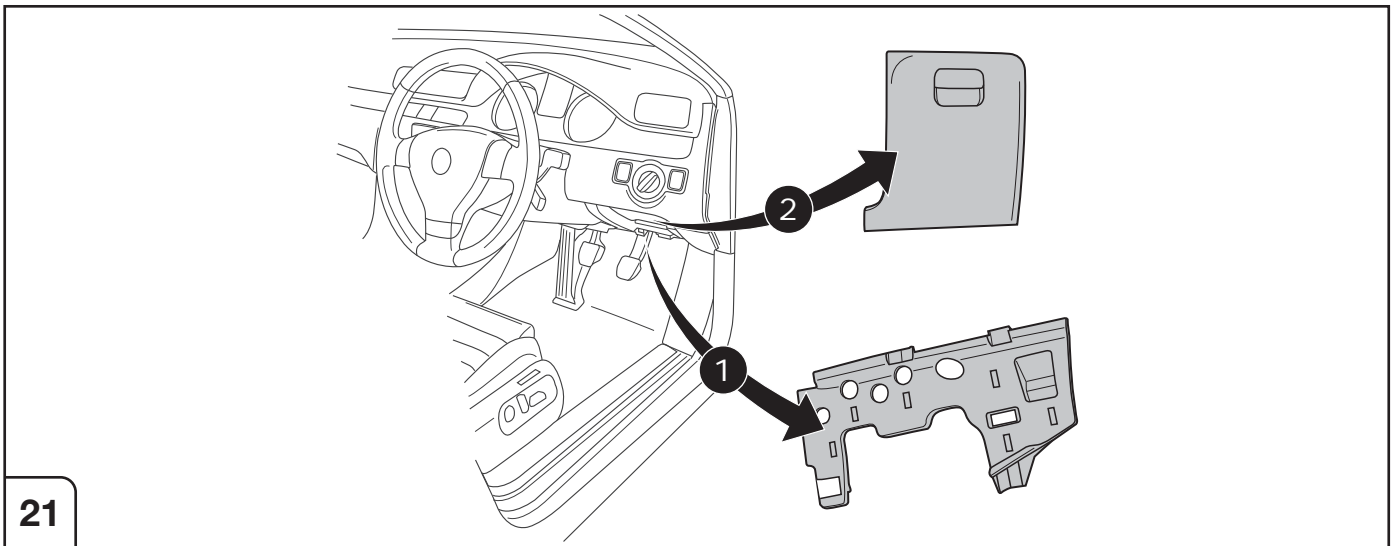
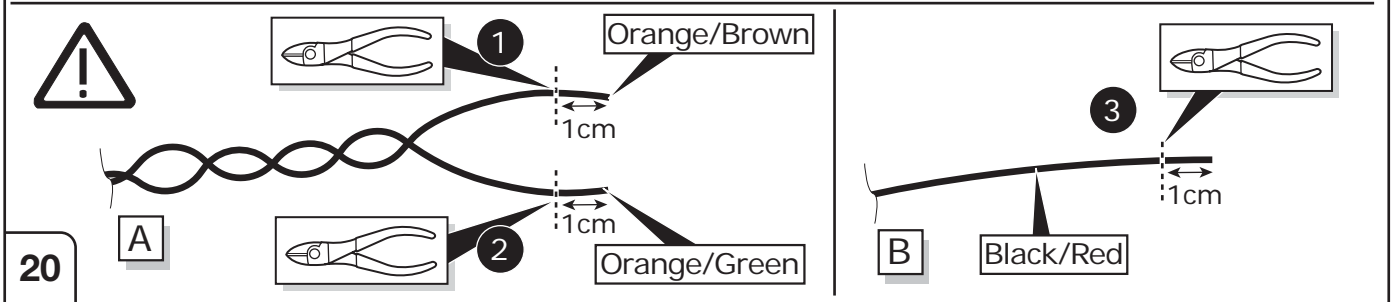
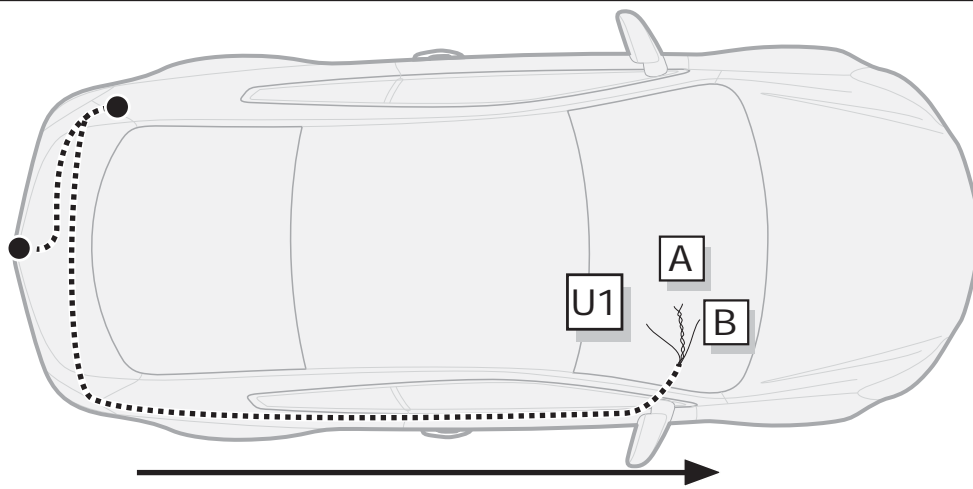


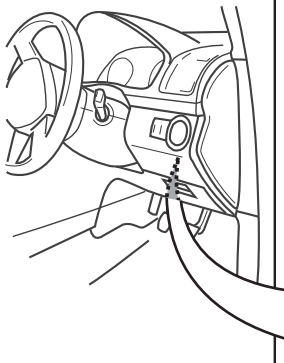
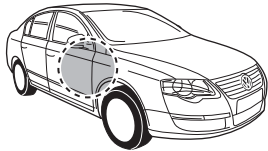
Passat Saloon/ Passat CC/ Jetta



Passat Estate





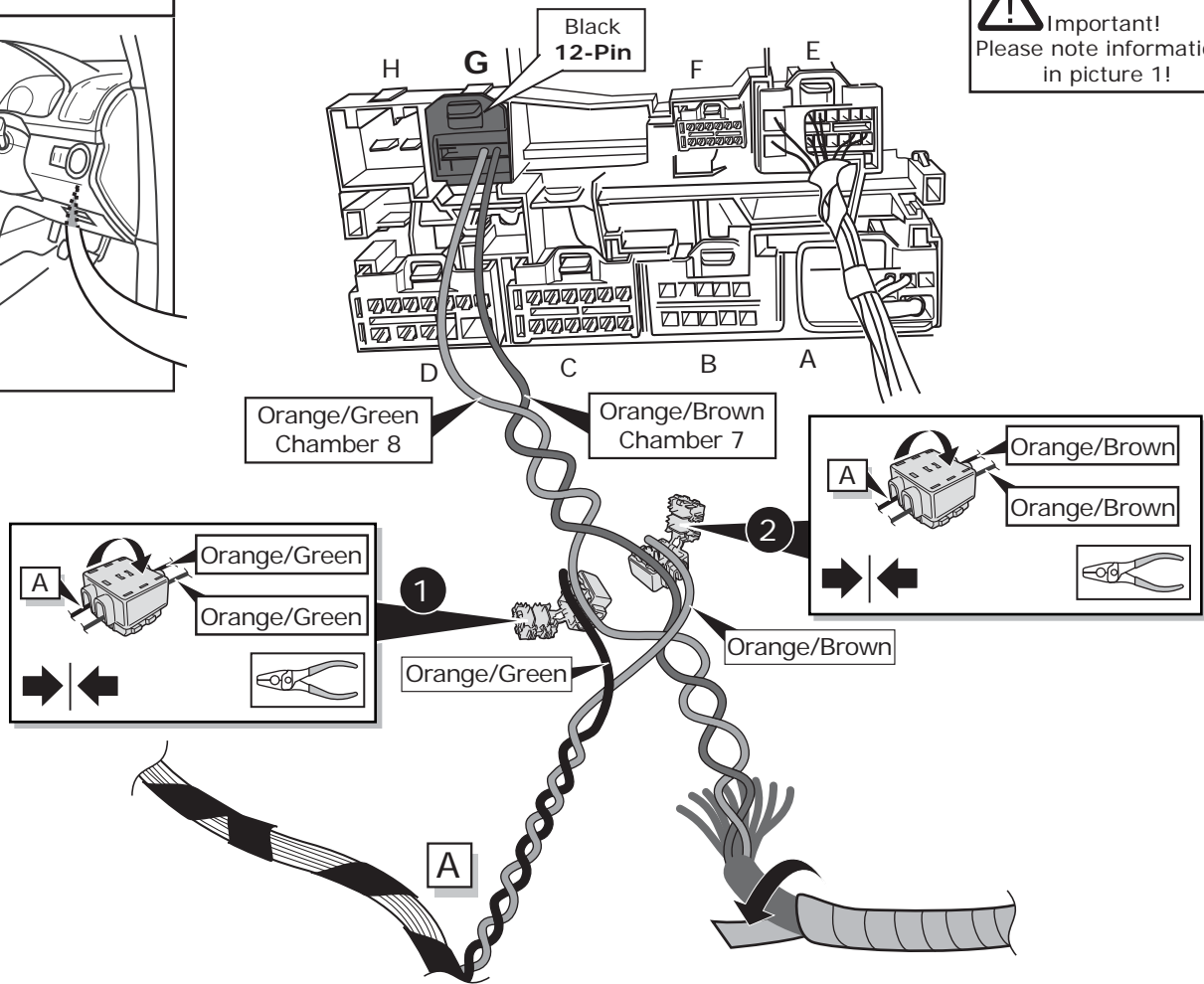


CAN-Data Wire

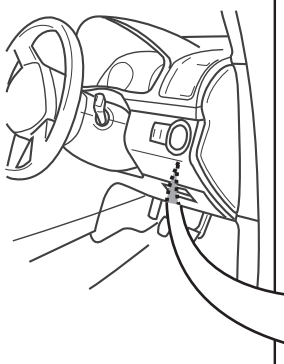
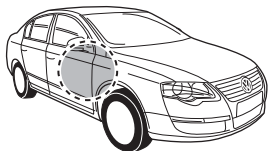


Network control unit position "G"

Important!
Please note informations
in picture 1!

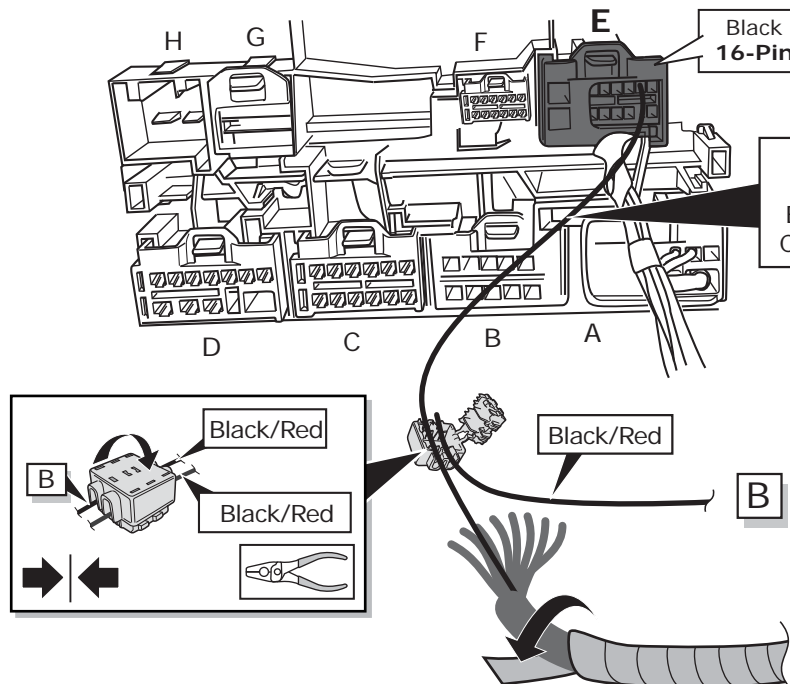


23



Network control unit position "E"

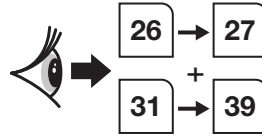
54 STOP
Black/Red
Chamber 2



Important!
Please note informations
in picture 1!

24

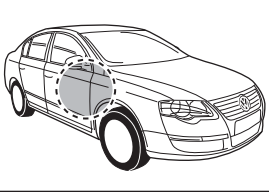
Passat Saloon -> 08
 Passat Estate -> 08
 Jetta



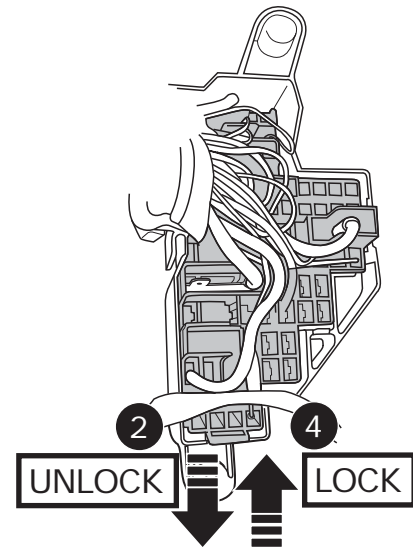
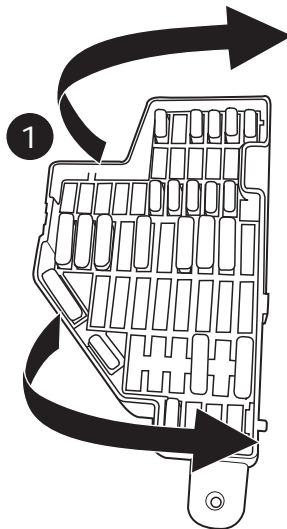
Passat Saloon 09 ->
 Passat Estate 09 ->
 Passat CC



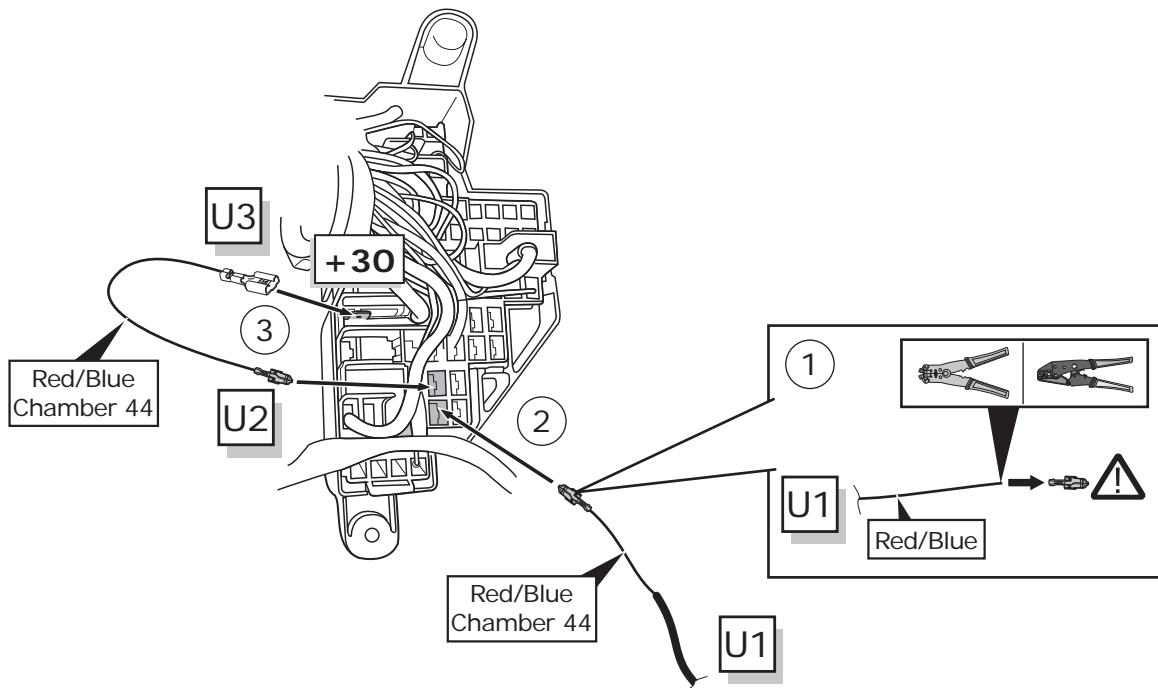
25



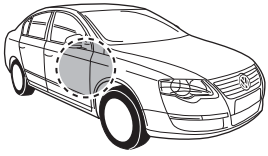
Passat Saloon -> 08
 Passat Estate -> 08
 Jetta




3





26




Passat Saloon -> 08
 Passat Estate -> 08
 Jetta




Position


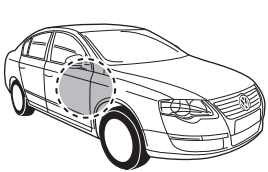
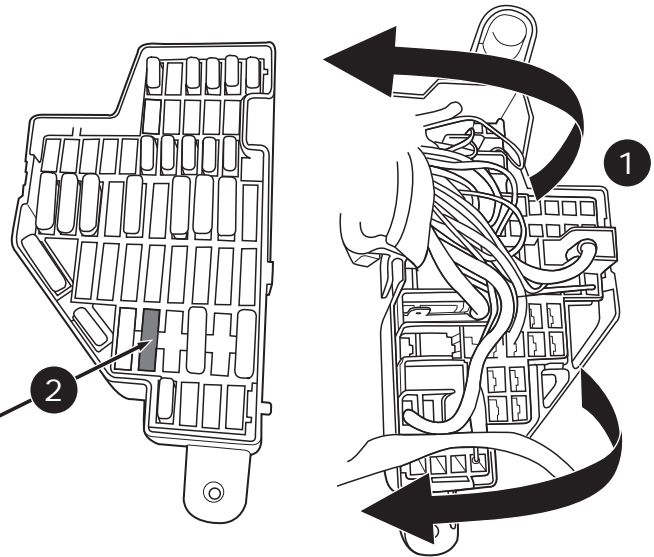
Manual



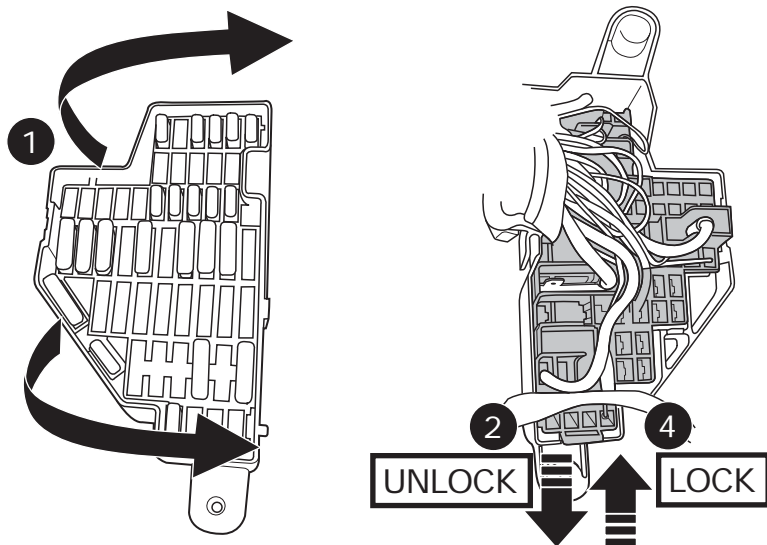
20 Amp.
Red/Blue

27

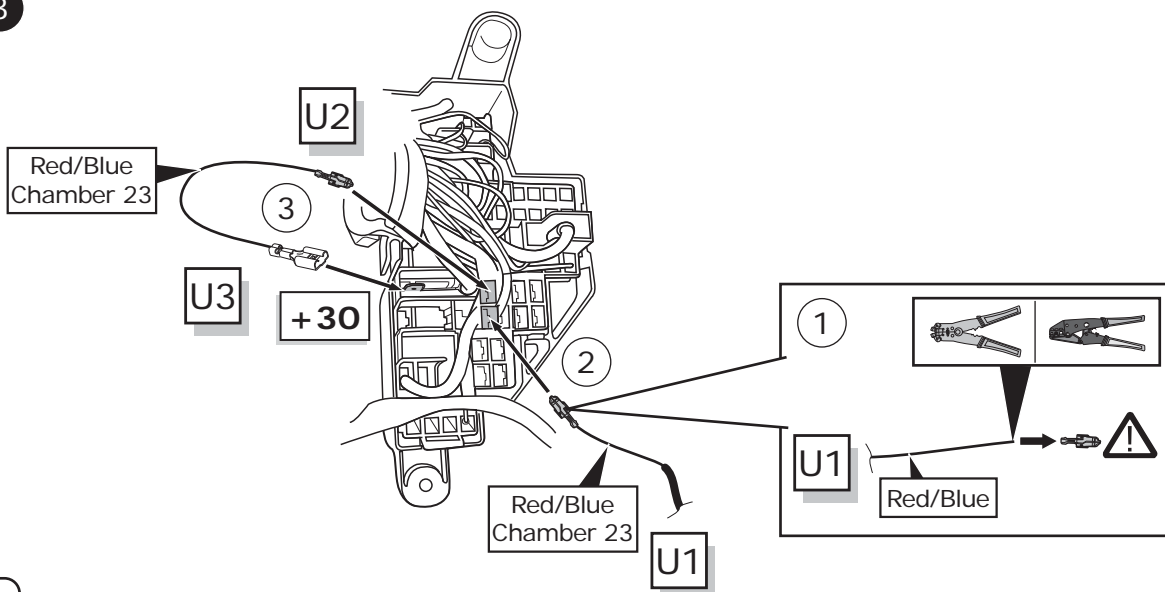
Chamber 44
 20 Amp.



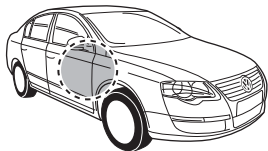
Passat Saloon 09 ->
 Passat Estate 09 ->
 Passat CC



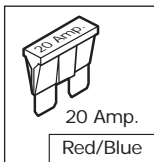
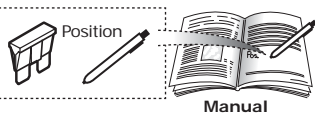
3



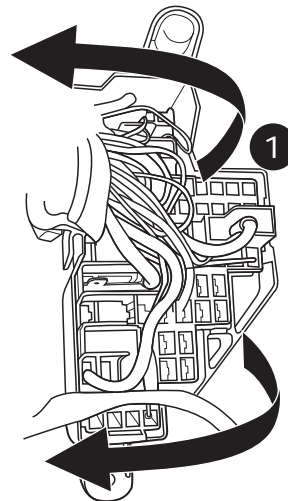
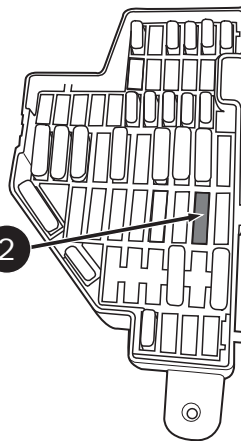
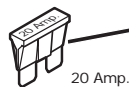
28



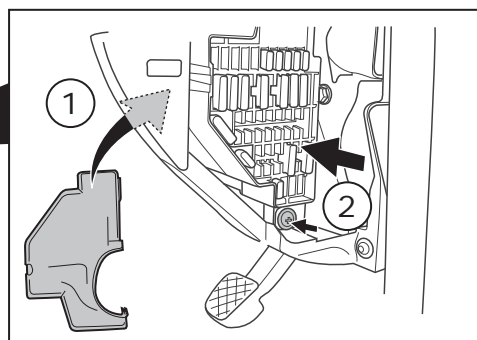
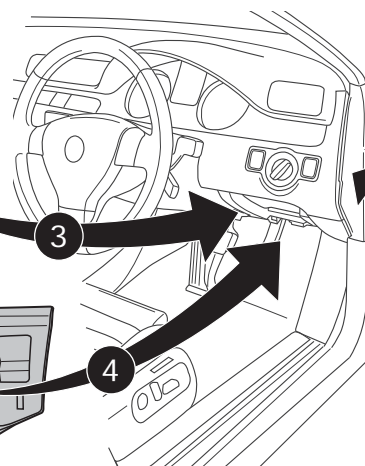
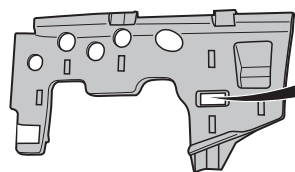
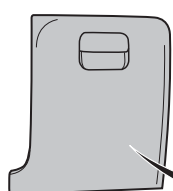
Passat Saloon 09 ->
 Passat Estate 09 ->
 Passat CC



Chamber 23

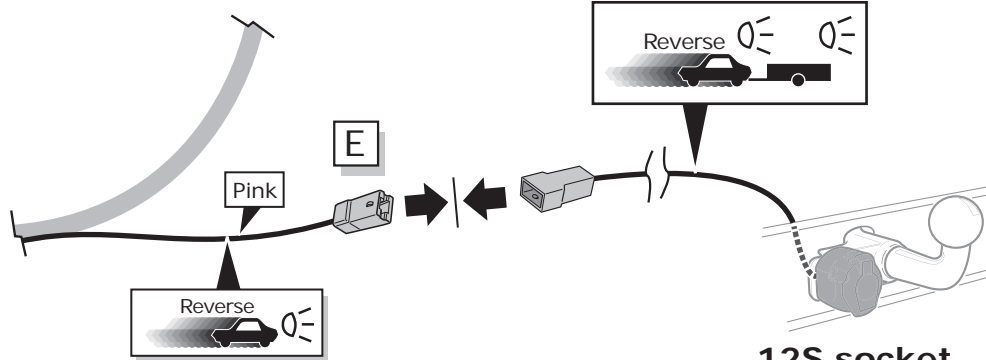
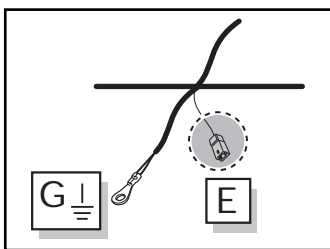


29

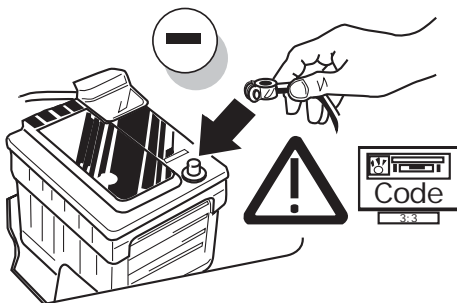


30

Optional



31



32

Set up trailer operation



Passat Saloon	03/05->10/10
Passat Estate	08/05->10/10
Passat CC	06/08->

Please effect coding as follows:

- Vehicle self-diagnosis
- Gateway assembly list
- 19 – diagnosis interface for data bus
- 007-Coding (service \$1A) \ Read / write long coding
- 69 – trailer function (switch to coded!)

Vehicles with park assist systems

The automatic deactivation of the rear park assist system in trailer operation will be effected by means of the subsequent coding of the park assist control unit:

Only vehicles until model year 07 (MY07)

- Vehicle self-diagnosis
- Gateway assembly list
- 76 – park assist system
- 07 – code control unit
- Add the figure **10000** to the current coding & reprogramme

Vehicles from model year 2008 on:

- Vehicle self-diagnosis
- Gateway assembly list
- 10 - park assist system II / parallel park assist
- 008 Coding (service \$22)
- Byte 0 - bit pattern xxxxxxx1

(x = accept the default values in the input field for this purpose activate input mode (BIN) !)

- confirm with OK !

Stabilisation of the vehicle / trailer combination - Only vehicles until model year 07 (MY07)

To activate the stabilisation of the vehicle/trailer combination, the ESP control unit must be recoded! For this purpose please read the current coding number of the ESP control unit via the service tester (VAS 5051 / 5052) and enter it in the table below. By adding the figure **16384**, you will receive the new coding number. Please also enter the new value in the table below. Also note this intervention in the vehicle manual in chapter

“1.1 Service schedule” -“Other entries to be made by the garage personnel” !!

Please effect coding of the ESP control unit as follows:

- Vehicle self-diagnosis
- Gateway assembly list
- 03 – Electronic braking system
- 07 – Code control unit
- Add the figure **16384** to the current coding & reprogramme

The coding of the stabilisation is not needed anymore on vehicles from model year 2008 on!

AutoHold - Only vehicles until model year 07:

Switch off ignition, remove ignition key, wait 1 minute, switch on ignition. Check/amend the the code of the parking brake control unit

- Vehicle self-diagnosis
- Gateway assembly list
- 53 parking brake
- vehicles without Autohold function: code 11
- vehicles with Autohold function: code 12
- 07 code control unit
- enter the code according to the vehicle fittings (with/without Autohold)

Coding number ESP control unit

Old			
New			



Jetta 08/05->12/10

General

General

After the installation of the electric kit, the obligatory trailer lighting as well as the trailer indicator control which is statutory in a several countries are guaranteed without having to make any connections on the vehicle!

The message **“Control unit incorrectly coded”** will, however, appear in the fault memory (19 – Diagnosis interface for data bus)! Yet this entry has no effect on the other functions and can be ignored until your next regular service appointment. We recommend the connection via the factory-mounted service tester (VAS 5051 / 5052) within the framework of the annual service intervals!

Please effect coding as follows:

- Vehicle self-diagnosis
- Gateway assembly list
- 19 – diagnosis interface for data bus
- Coding (service 1A) \ Read / write long coding
- 69 – trailer function (switch to coded!)

Vehicles with park assist system

After the effected connection, the rear park assist system will also automatically be deactivated in trailer operation!

Release the towing vehicle and trailer stabilisation!

For vehicles from production date 06.06.2005 which are factory fitted with a control unit that supports trailer stabilisation, **this function must be activated!**

With guided troubleshooting → Skip: Function / component selection

- Chassis
 - Brake system
 - 01 – Self-diagnosing systems
 - ABS
 - Functions
 - Adaptation – J104 with towing vehicle and trailer stabilisation
 - Next
 - Adaptation – J104 with towing vehicle and trailer stabilisation
 - Start test program, follow instructions and answer questions!
- Warning: If you answer a test program question with NO the towing vehicle and trailer stabilisation cannot be activated!

NOTE:

If the vehicle's rear fog lamp does not switch off automatically in trailer mode the following code must be entered in addition to the aforementioned configuration of the central electrical system:

Vehicle self-diagnosis

- 09 Electronic central electrical system
- 007 Coding (service 1A)
- Vehicle's electrical system controller coding long
- Byte 8 - bit pattern x1xxxxx (x = accept the default values in the input field for this purpose activate input mode (BIN) !)
- confirm with OK !

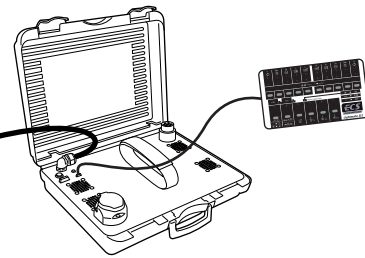
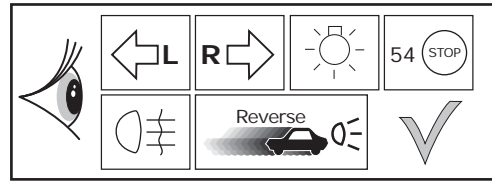
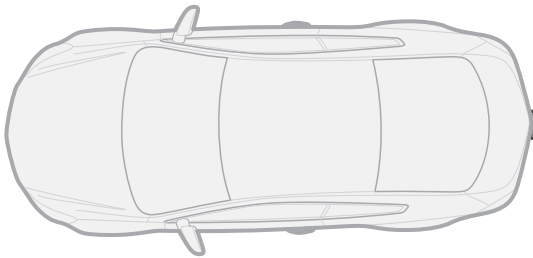
33

Optional

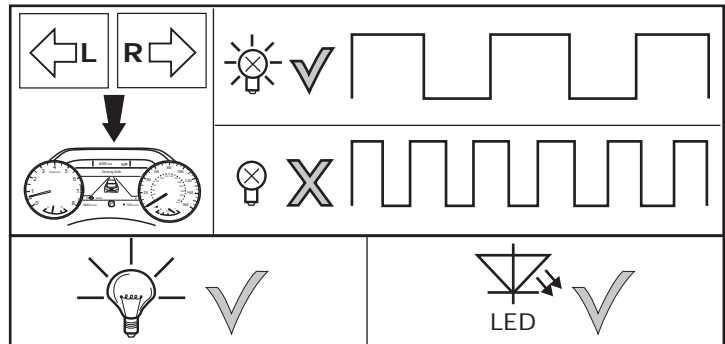
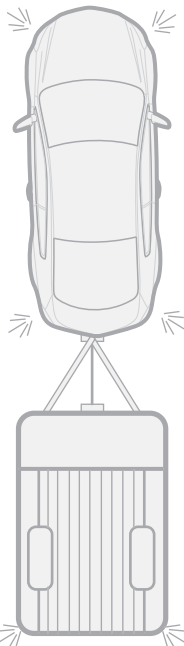


Trailer Simulator for 7- and 13-pin Sockets

34



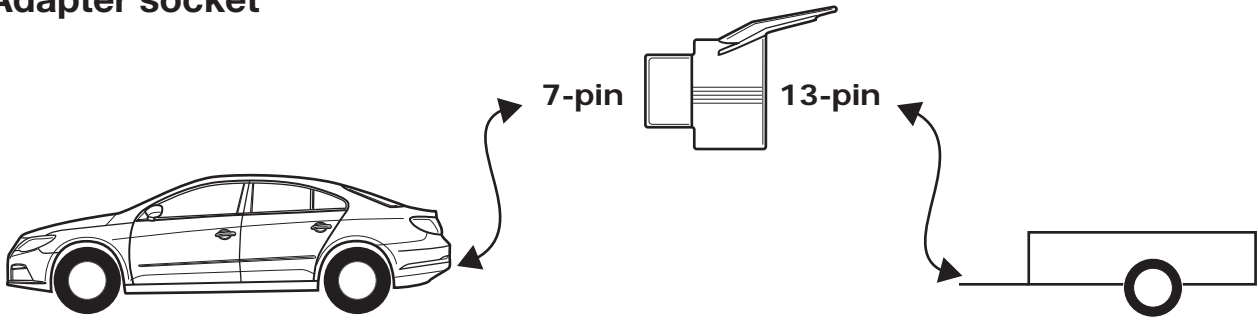
35



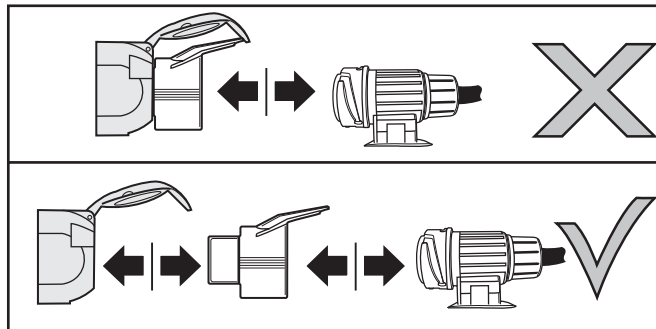
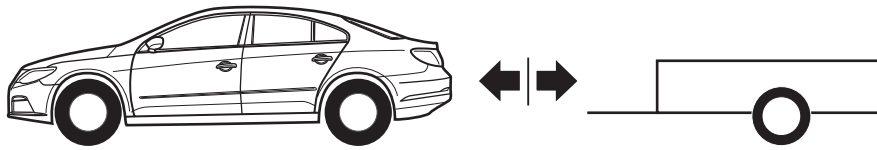
36

Optional

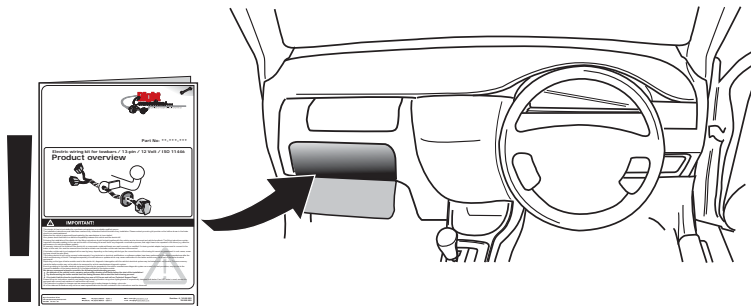
Adapter socket



37



38



39