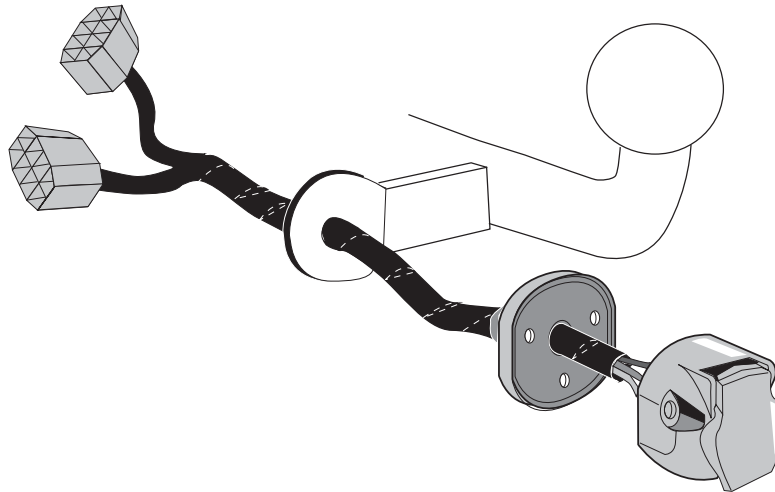


## Volkswagen

|                 |              |
|-----------------|--------------|
| Passat Saloon   | 11/10->10/14 |
| Passat Estate   | 11/10->10/14 |
| Passat Alltrack | 02/12->10/14 |
| CC              | 01/12->      |
| Jetta           | 01/11->      |

Part No: VW-195-07M

# Electric wiring kit for towbars / 7-pin / 12N / 12 Volt / ISO 1724 Fitting instructions



## IMPORTANT!

This electric kit has to be installed by a professional workshop or a suitable qualified person.

The installation instructions must have been read and fully understood before the start of any installation. Please contact your wiring kit provider or the hotline shown in the footer should you need assistance!

Make sure the vehicle is approved/homologated by the manufacturer to tow a trailer!

Also please check that there is a definite compatibility between this vehicle and the electric kit!

Following the installation of the electric kit, the fitting instructions should be kept together with the vehicle service document and vehicle handbook. The fitting instructions contain important information relating to the use and function of the towing kit as well as for any diagnostic or activation process, that might have to be repeated in the future (e.g. after the performance of a vehicle software update).

All warranty claims will be forfeited if the electric kit or components contained therein are used incorrectly or modified. If a towing socket adaptor has been used to connect to the trailer or bike rack, this must be removed from the trailer socket once the trailer or bike rack has been disconnected.

If the trailer or bike rack is not equipped with a rear fog lamp, depending on the towing vehicle type, the correct function of the towing kit cannot be guaranteed. In such cases, a rear fog lamp should be retro fitted.

This towing electric kit will not be covered under warranty if any technical or electrical modifications or software updates have been performed by the vehicle manufacturer after the initial commissioning of the kit. That applies especially to modifications or updates which may cause malfunctions in the trailer socket or any other part of the trailer electrical equipment!

Depending on the type of trailer module used in this electric kit, diagnostic interrogation with the vehicle's electrical system may be limited or will not function. The error memory inside the trailer module may not be able to be accessed by vehicle manufacturers diagnostic system.

Error logs relating to the trailer electrical equipment, that may be generated in the vehicle manufacturers diagnostic system as a result of a test procedure, may be due to the incorrect installation of the towing electric kit or the false activation of the trailer module.

**We always recommend whenever possible, the following troubleshooting process:**

→ **An analysis of the vehicle's error memory and possibly clearing of all faults before the start of the installation!**

→ **Try disconnecting the trailer module from the towing harness and re-start the fault clearing process!**

→ **If in doubt, limit the time for troubleshooting to a max of 0,5 hours and call our Technical Support Team!**

Please follow our instructions carefully and always test the towing electrics using a true lighting board or a specifically designed bulb tester. If an LED tester is used, ensure it is equipped with correct load resistors or malfunctions will occur!

This instruction is subject to changes and we reserve the right to make changes to design, colour etc.

All of the data and illustrations may not be an exact representation but the text contained in this instruction must be observed!

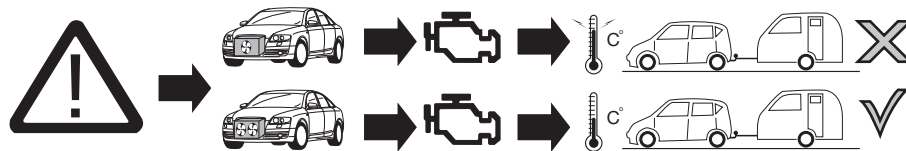
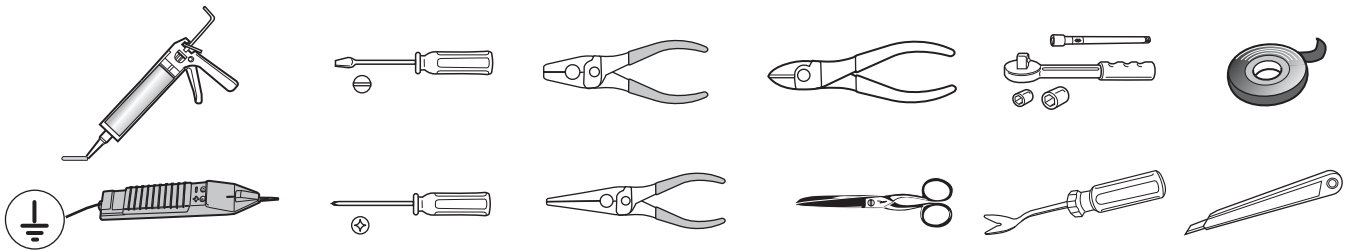


## SYMBOL EXPLANATION

|                |   |
|----------------|---|
|                | Left (58-L) respectively<br>Right (58-R) tail light             |
| 54             | Stop light (54) /<br>high mounted, third stop light (54)        |
|                | Turn signal indicator left                                      |
|                | Turn signal indicator right                                     |
|                | Rear fog light(s)   |
|                | Reversing light(s)  |
|                | Permanent power supply /<br>13pin socket, chamber 9             |
|                | Charging wire for trailer battery /<br>13pin socket, chamber 10 |
|                | Trailer / trailer recognition                                   |
| <b>B+ / 30</b> | Permanent current power supply                                  |
|                | Ground or Earth (31)  |
|                | Ground connection battery terminal lug                          |
|                | Positive connection battery terminal lug                        |

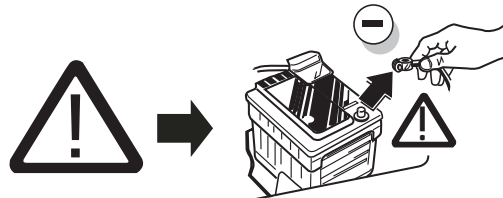
|  |   |
|--|---|
|  | Cigarette lighter /<br>accessory socket |
|  | Loudspeaker / buzzer                    |
|  | Park Distance Control                   |
|  | Switch / source of function             |
|  | Connect together                        |
|  | Disconnect                              |
|  | Look at / See further information       |
|  | Look carefully at selected area         |
|  | Present / Occupied / OK                 |
|  | Not present / Not occupied / Not OK     |
|  | Acoustic indication                     |
|  | Attention / important advice            |
|  | Fuse / fuse capacity 20 Ampère          |

## TOOLS



## ATTENTION!

The vehicle's cooling capacity may have to be increased when retrofitting a trailer coupling!  
You must observe the manufacturer's instructions!!



Note: It may be necessary to check if this vehicle has a stored radio code before disconnecting the battery!



## ATTENTION!

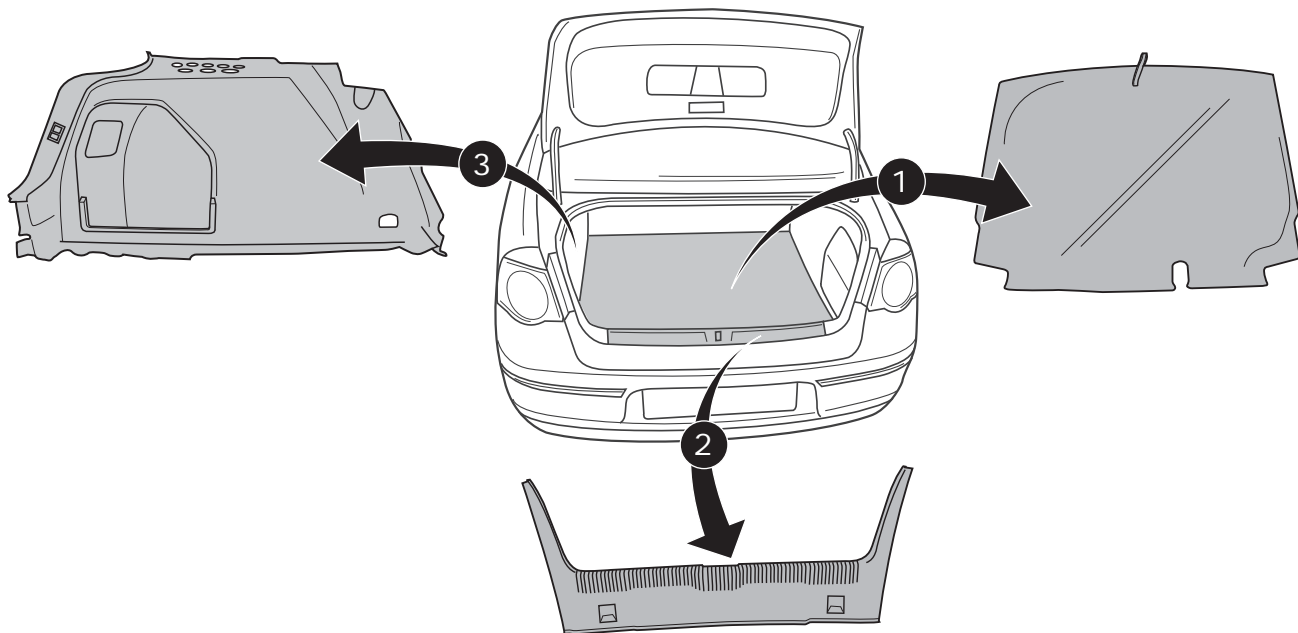
In order to avoid mal-functions and damage to the vehicle's electrical system the earth terminal **must be disconnected** from the vehicle's battery **before starting work!**

Both the trailer module and the vehicle's control unit for the electrical system can be damaged during work on the data bus connections if the battery is not disconnected!

1

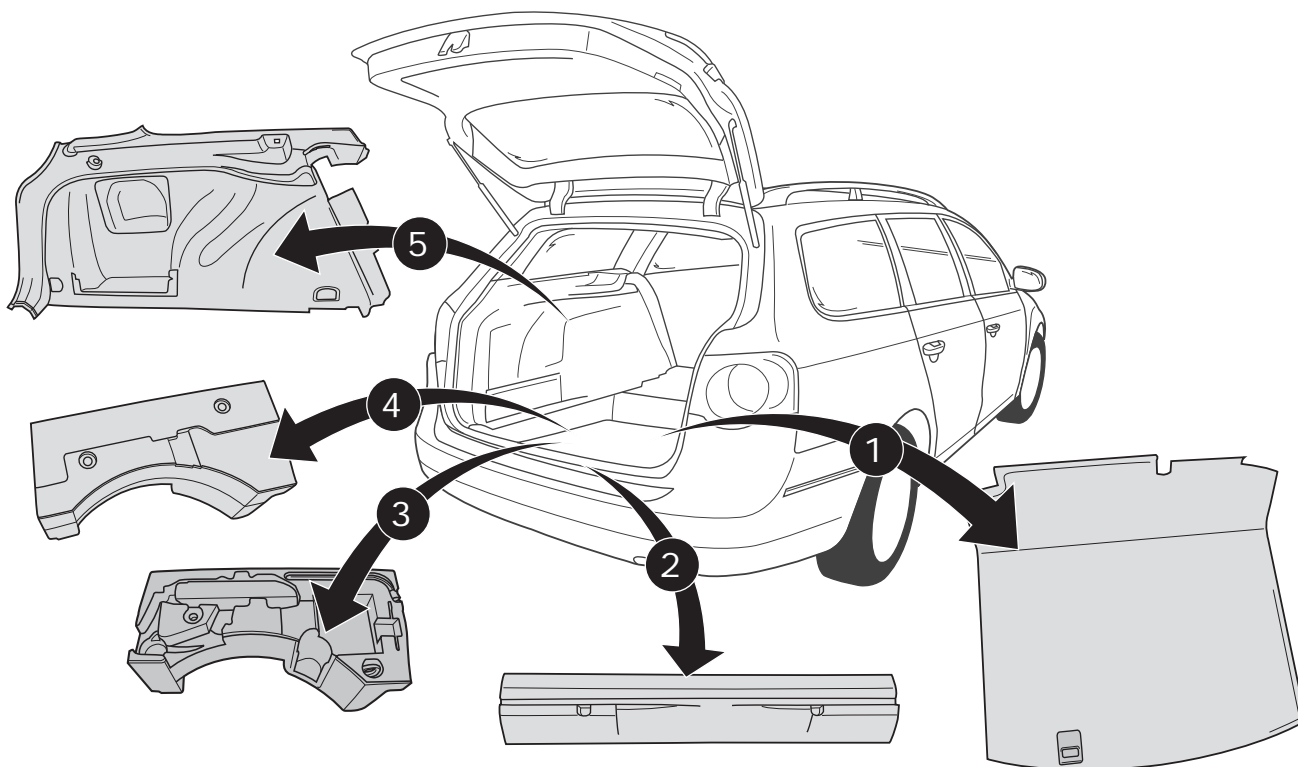
Please pay attention to the manufacturer's instructions when disconnecting and reconnecting the vehicle's battery!

Passat Saloon/ CC/ Jetta



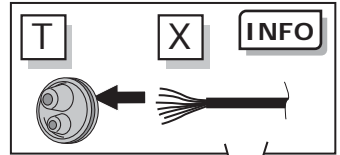
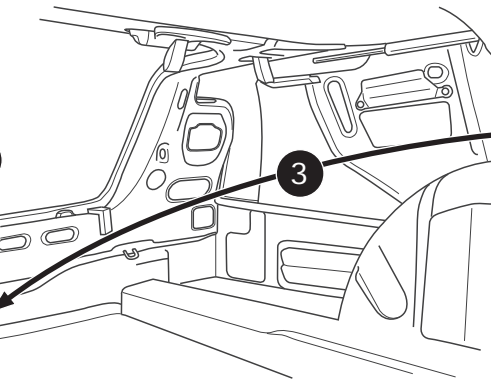
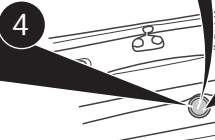
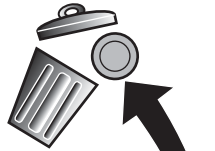
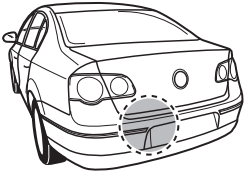
2

Passat Estate/ Passat Alltrack



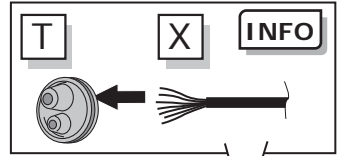
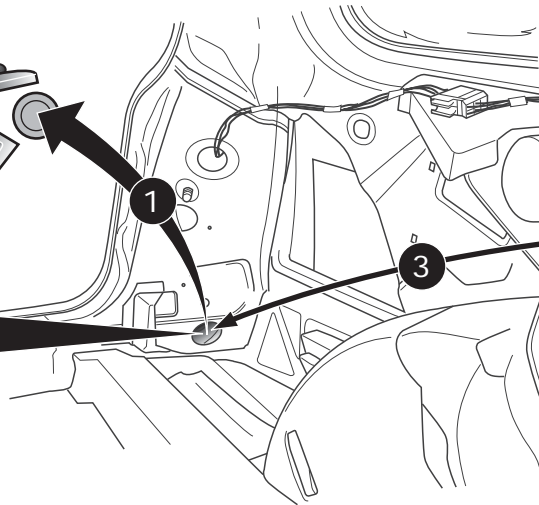
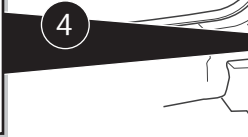
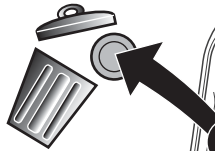
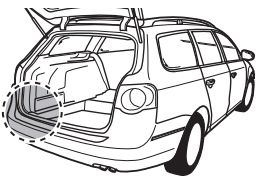
3

### Passat Saloon/ Jetta



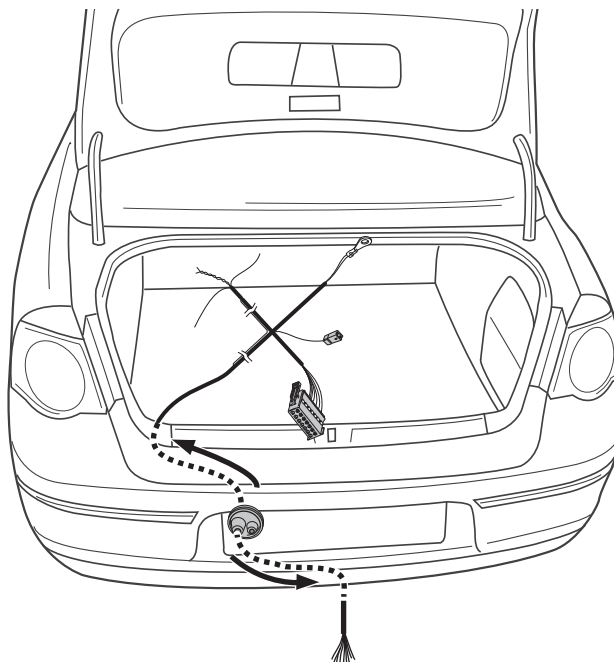
4

### Passat Estate/ Passat Alltrack/ CC



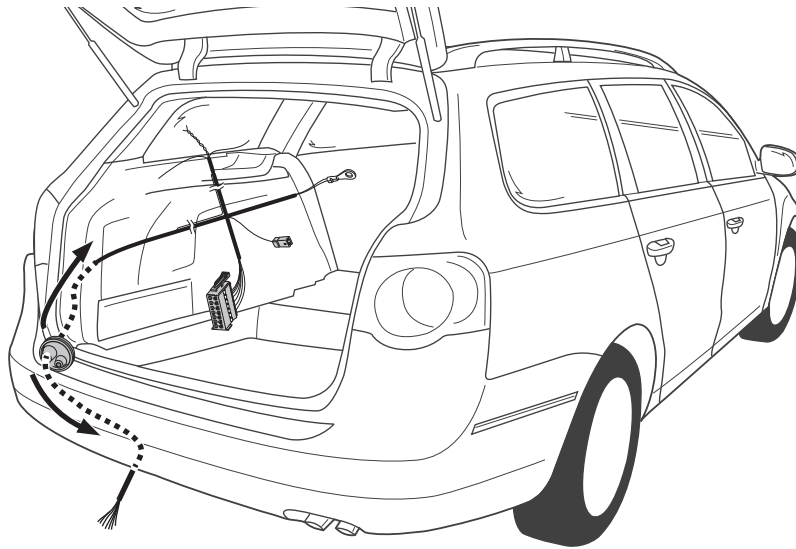
5

### Passat Saloon/ Jetta



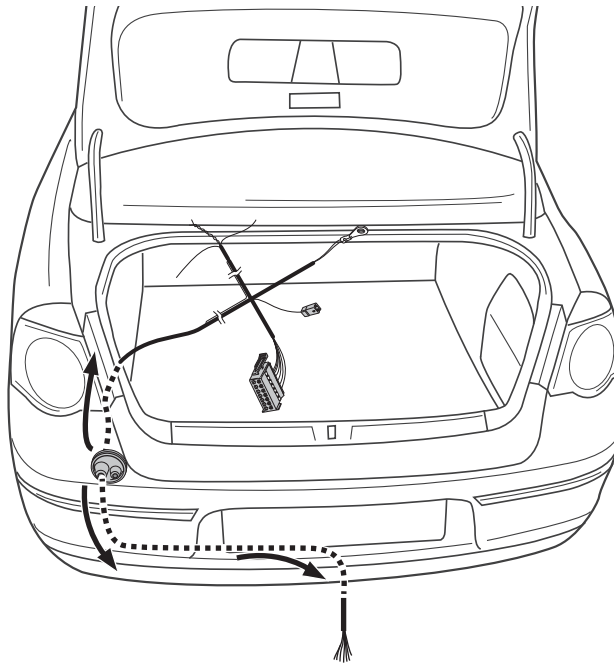
6

Passat Estate/ Passat Alltrack



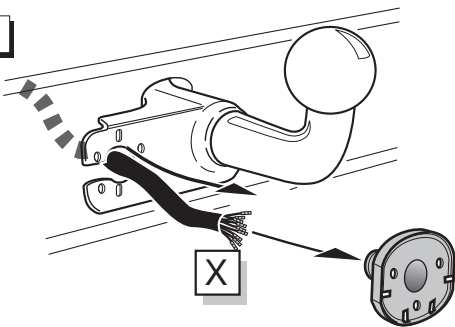
7

CC



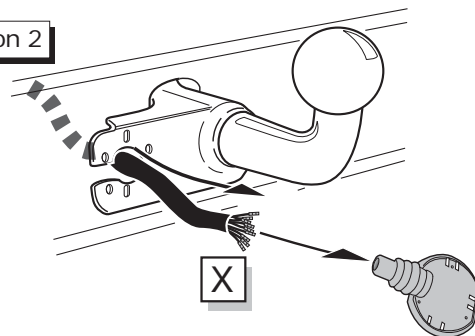
8

Option 1



9

Option 2



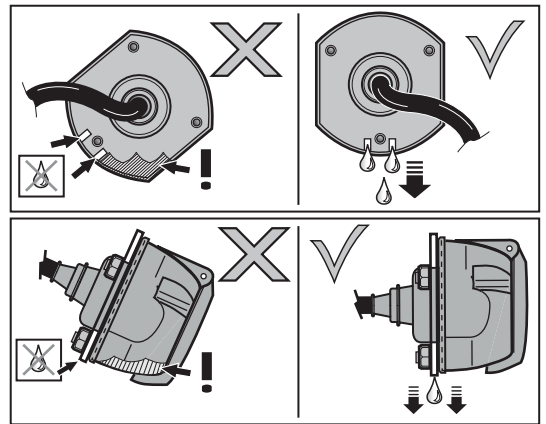
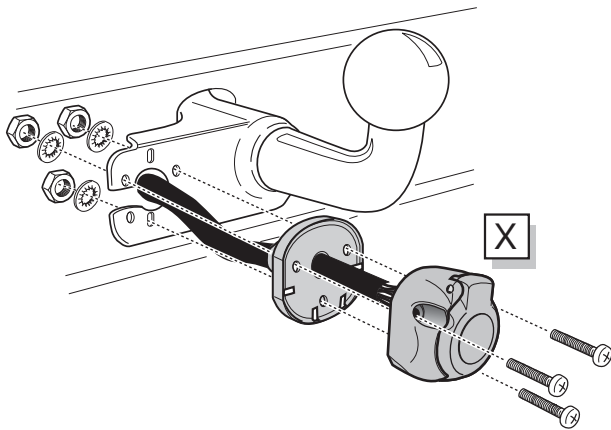


# SOCKET CONNECTION

|                 |        |      |       |       |        |        |        |
|-----------------|--------|------|-------|-------|--------|--------|--------|
| DIN/ISO<br>1724 | ←L     | ⊕    | ⊖ 1-7 | R→    | ☀      | ⊛ STOP | ☀      |
|                 | 1/L    | 2    | 3/31  | 4/R   | 5/58-R | 6/54   | 7/58-L |
| Pmax            | 21W    | 21W  |       | 21W   | 42W    | 3x21W  | 42W    |
|                 | Yellow | Blue | White | Green | Brown  | Red    | Black  |

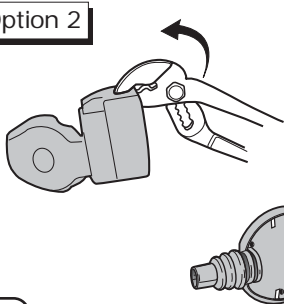
10

## Option 1

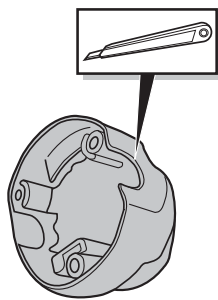


11

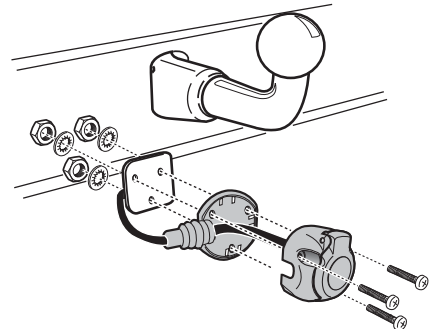
## Option 2



1



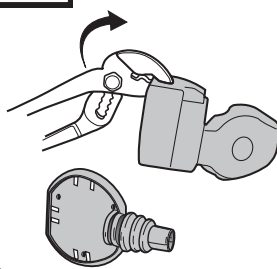
2



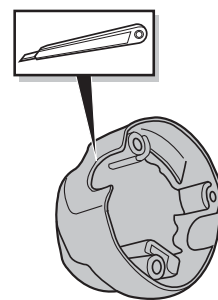
3

12

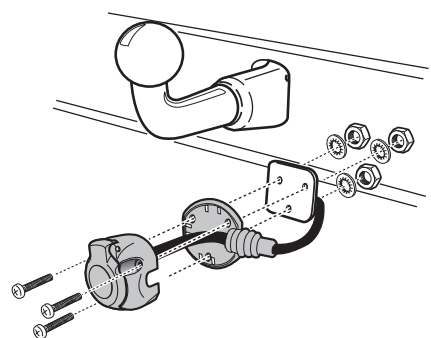
## Option 2



1



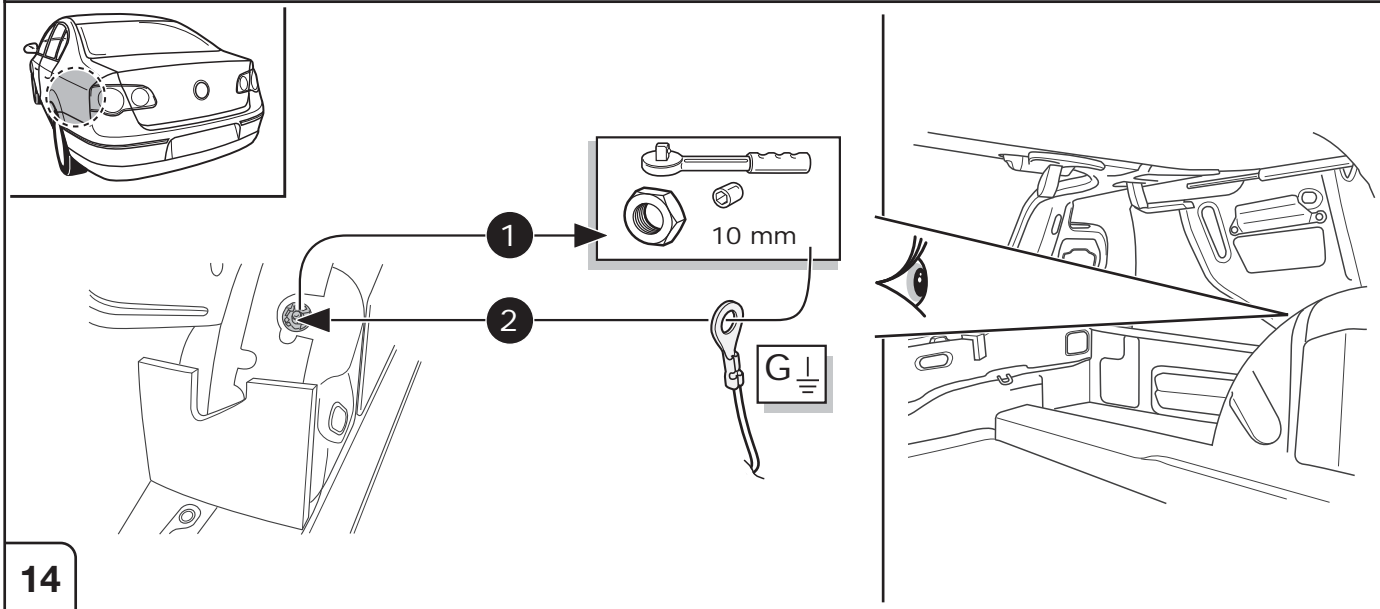
2



3

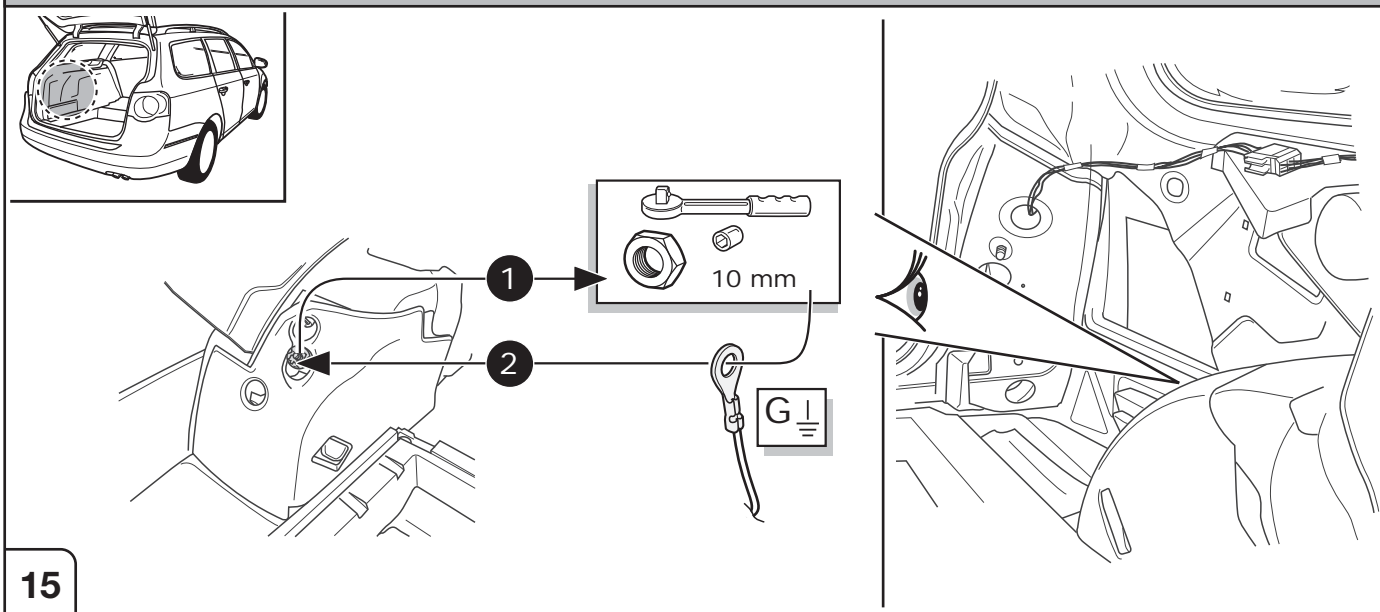
13

Passat Saloon/ CC/ Jetta

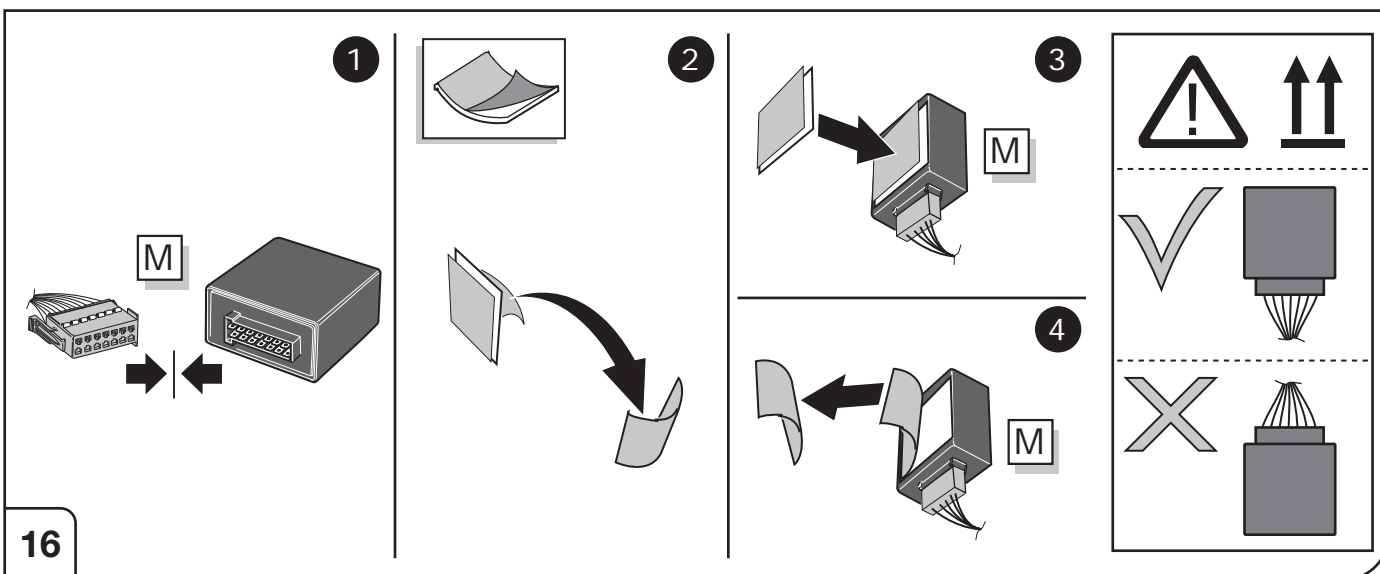


14

Passat Estate/ Passat Alltrack



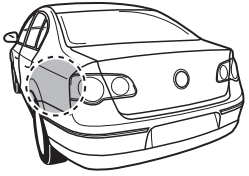
15



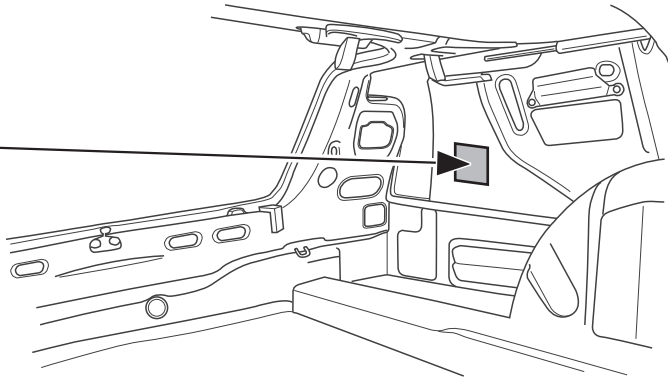
16



Passat Saloon/ CC/ Jetta

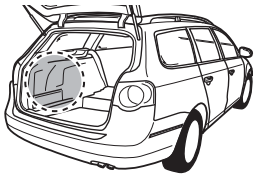


M

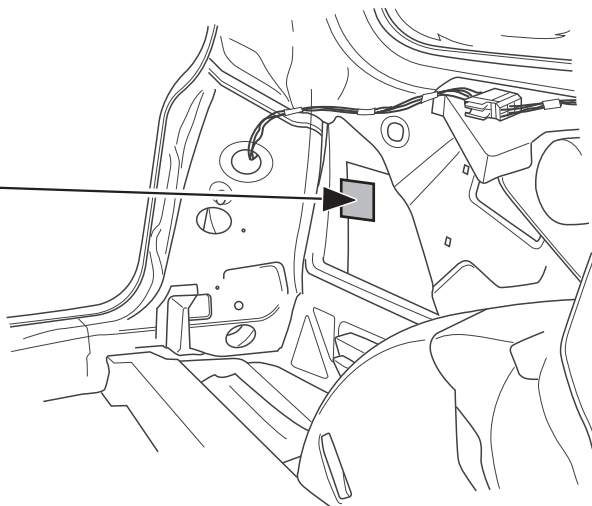
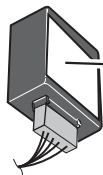


17

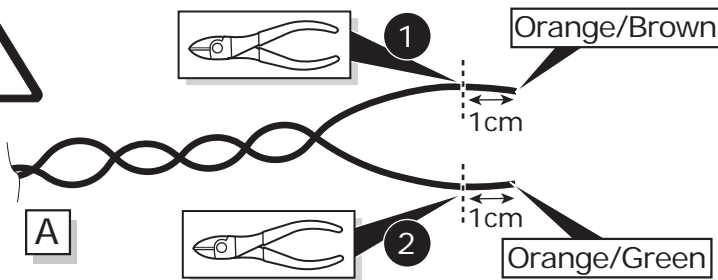
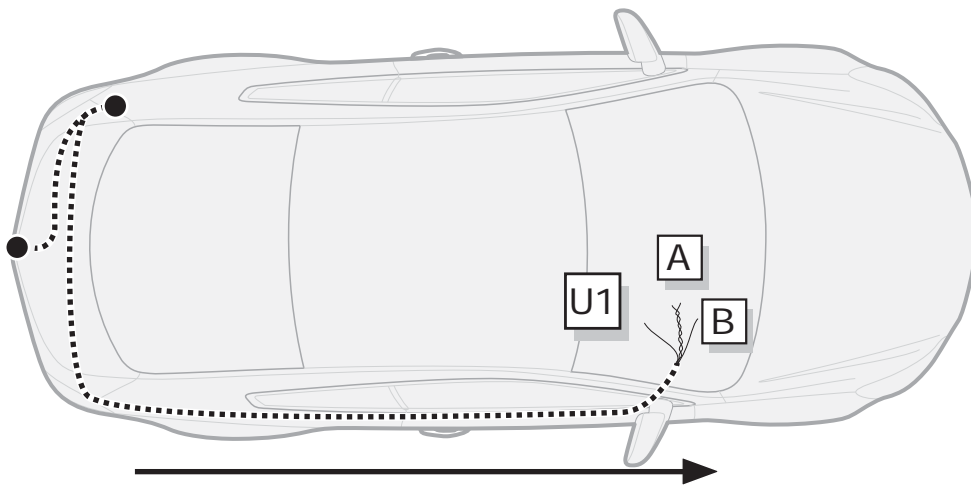
Passat Estate/ Passat Alltrack



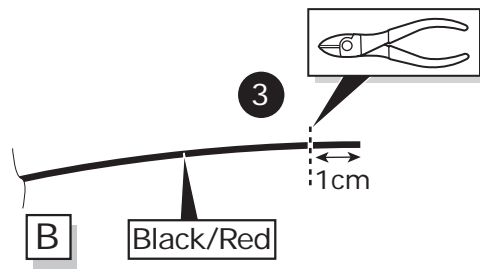
M



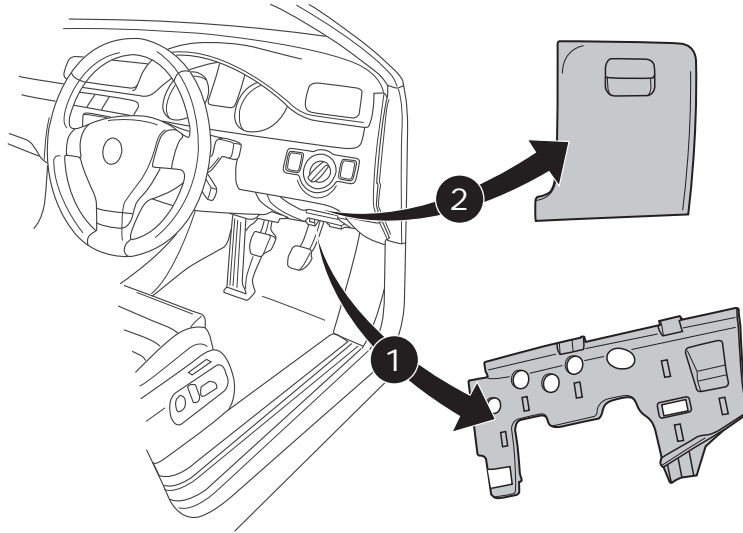
18



19

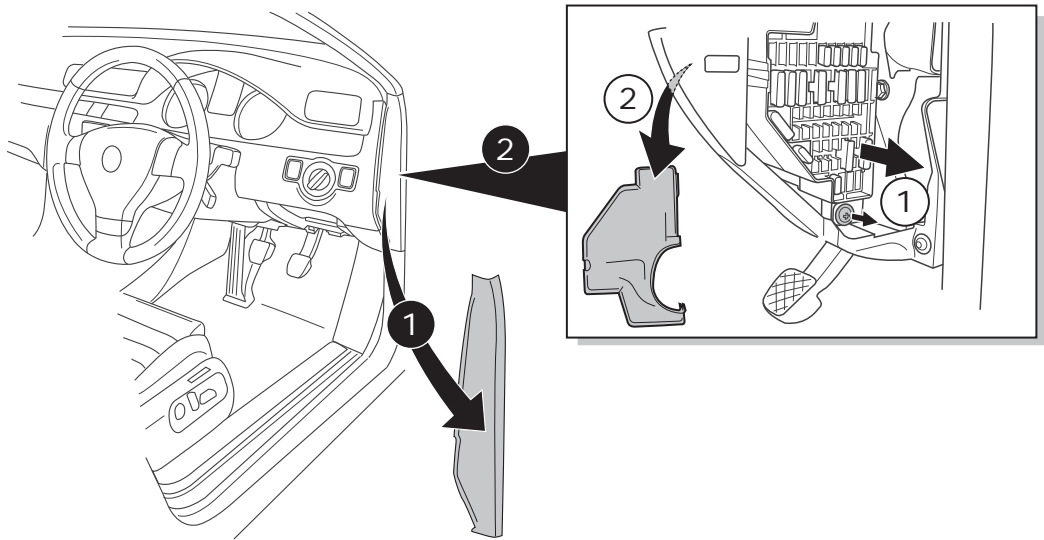


Passat Saloon/ Passat Estate/ Passat Alltrack/ CC



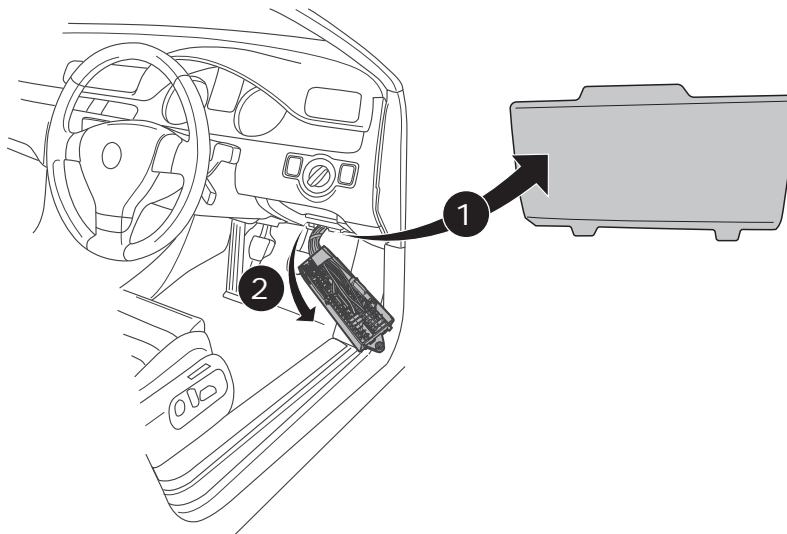
20

Passat Saloon/ Passat Estate/ Passat Alltrack/ CC

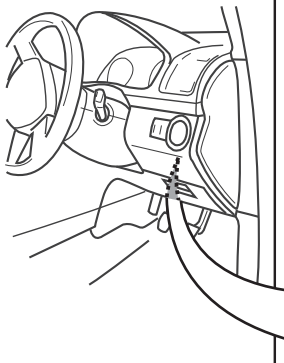
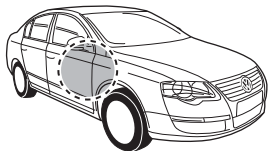


21

Jetta



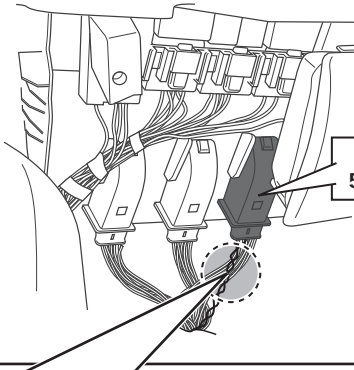
22



**CAN-Data Wire**

|              |            |   |
|--------------|------------|---|
| Orange/Green | Chamber 15 | ⚠ |
| Orange/Brown | Chamber 16 |   |

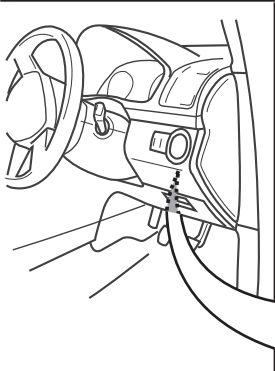
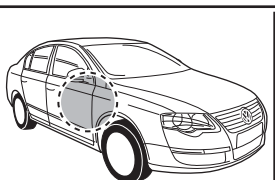
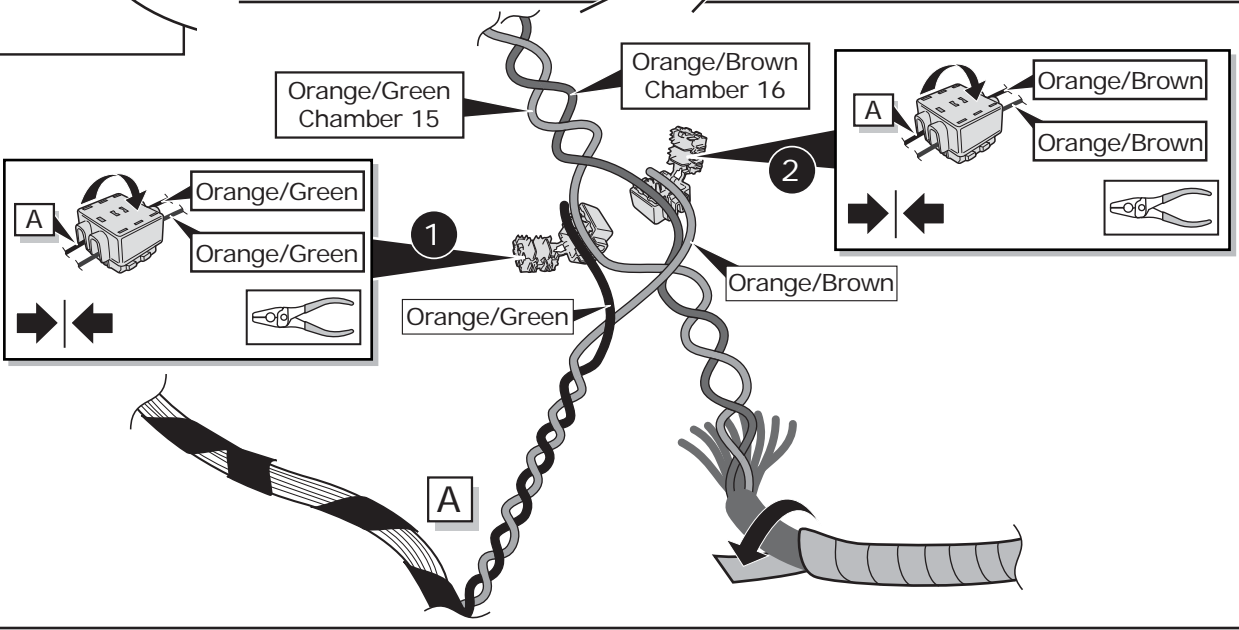
**Network control unit**



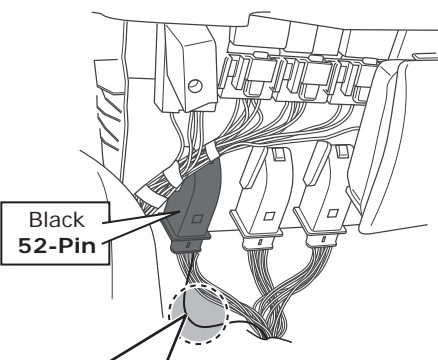
**⚠ Important!**  
Please note informations in picture 1!

Brown  
52-Pin

23



**Network control unit**



Black  
52-Pin

**\* Only Jetta**

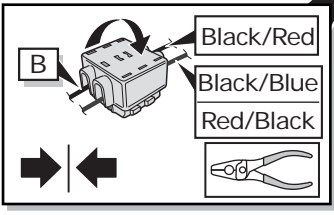
|            |            |         |
|------------|------------|---------|
| Red/Black  | Black/Blue | 54 STOP |
| Chamber 45 | Chamber 45 |         |

Black/Red

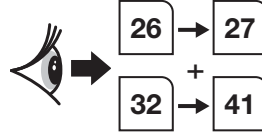
B

**⚠ Important!**  
Please note informations in picture 1!

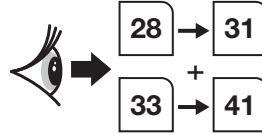
24



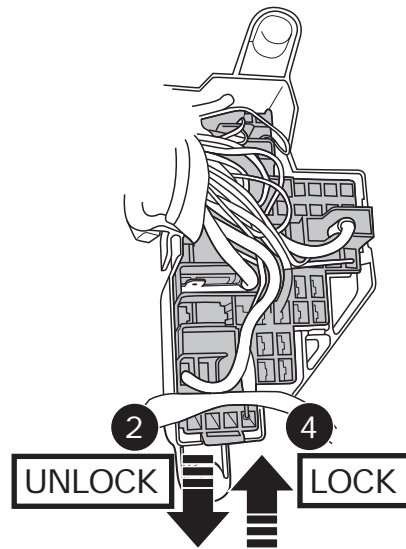
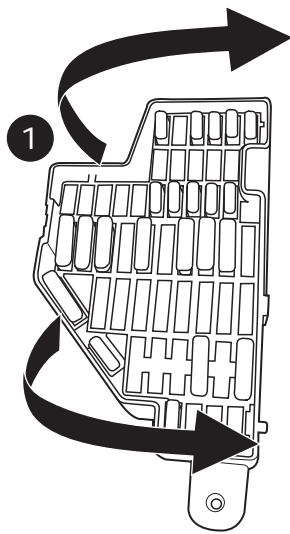
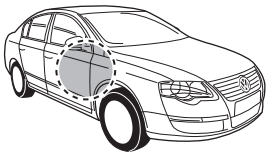
Passat Saloon  
 Passat Estate  
 Passat Alltrack  
 CC



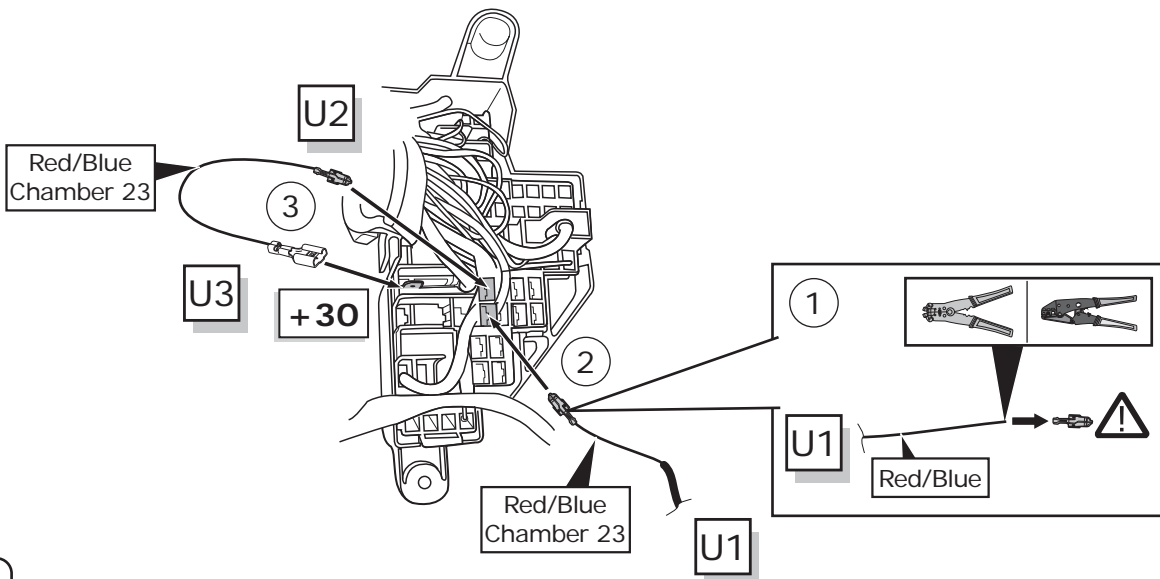
Jetta



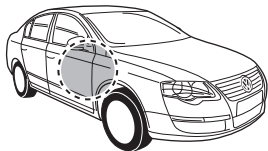
25


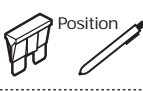



3




26

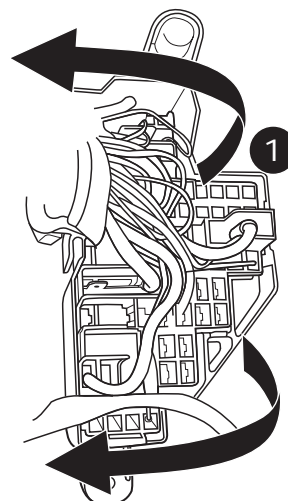


  Position  Manual

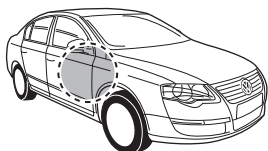
---

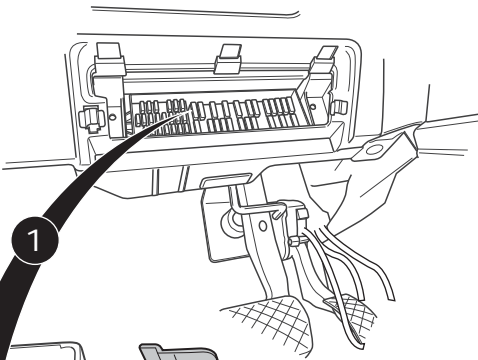
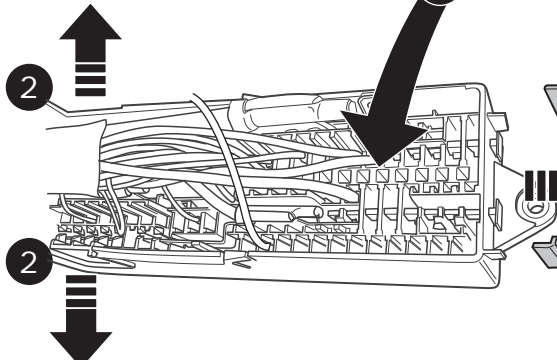
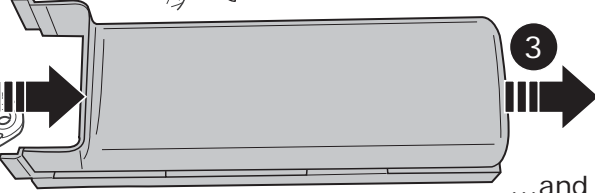
 20 Amp.  
Red/Blue

Chamber 23  
20 Amp.

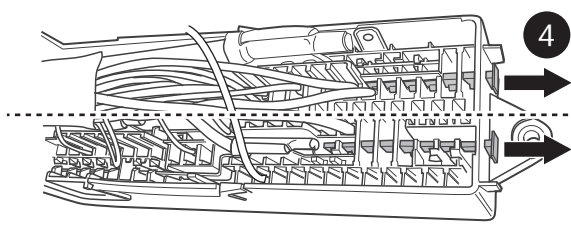


27



   ...and slide out!

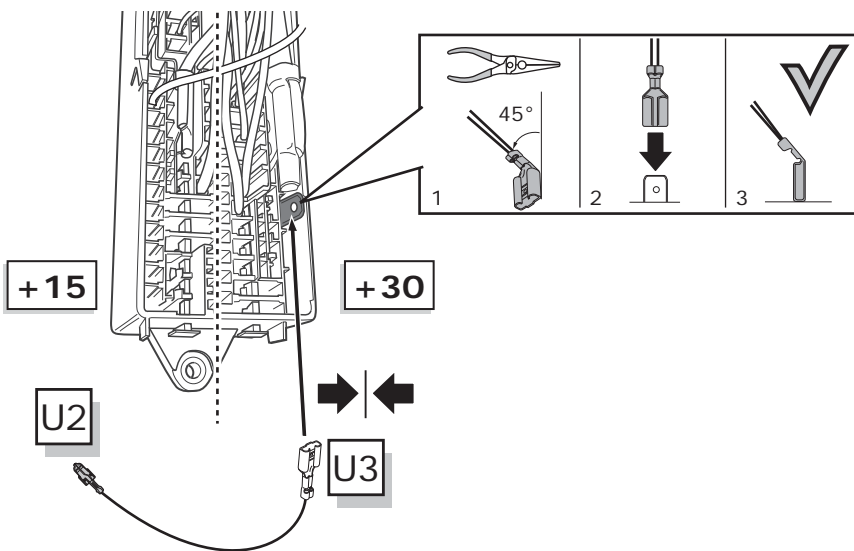
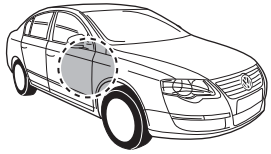
Remove fuse box cover!

 Open secondary lock!

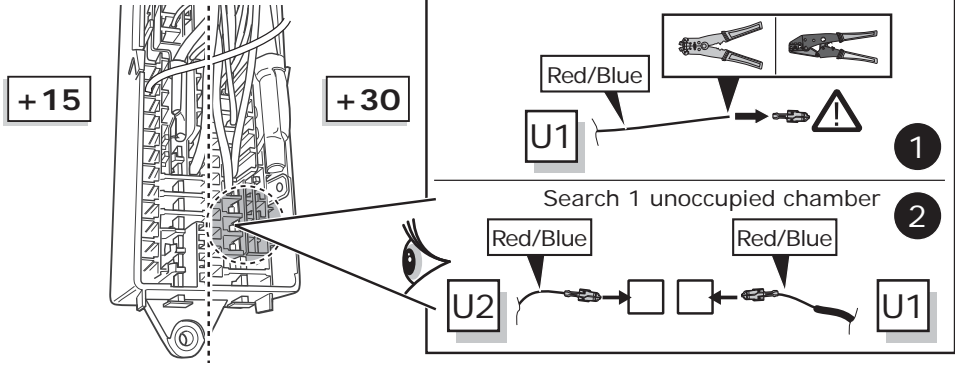
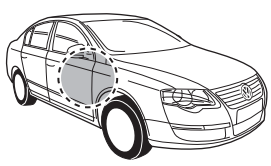
+30

+15

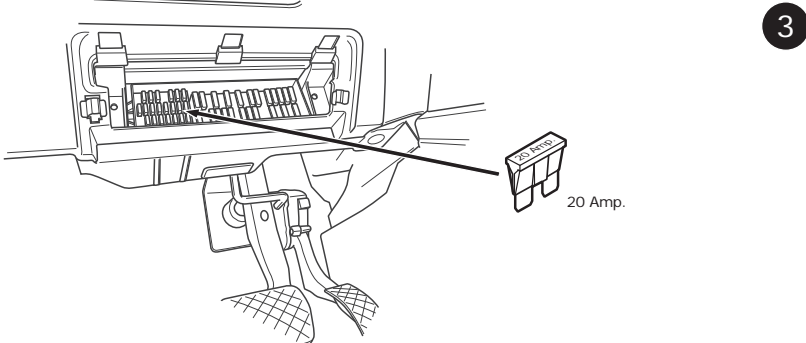
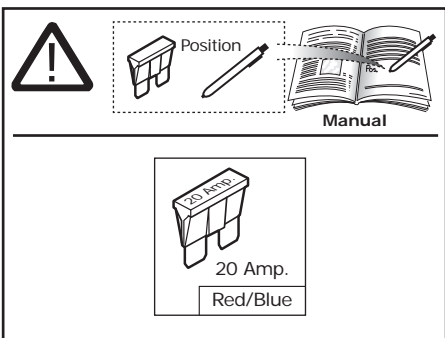
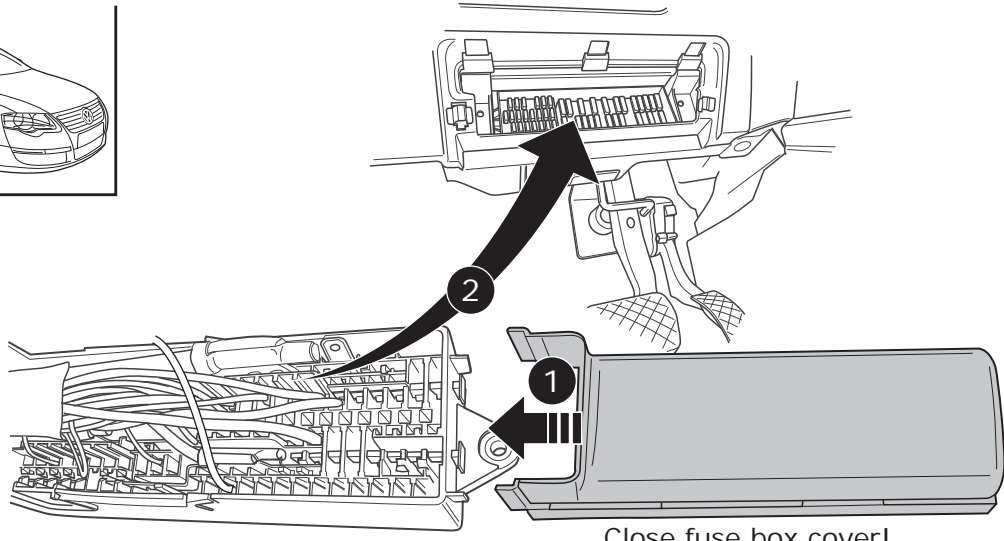
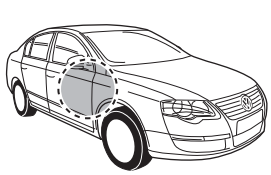
28



29

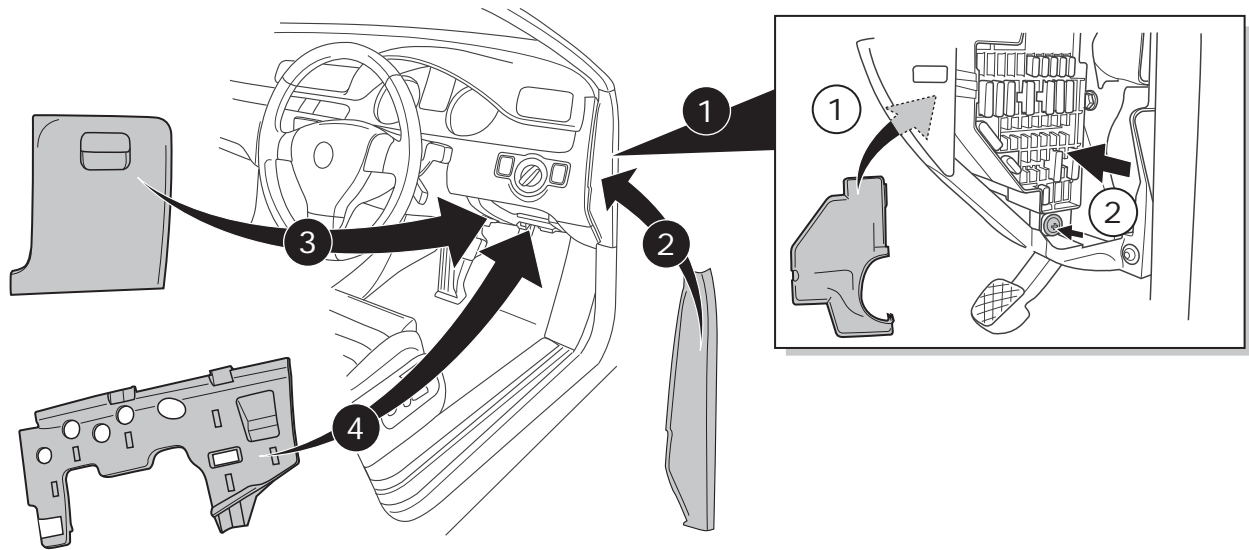


30



31

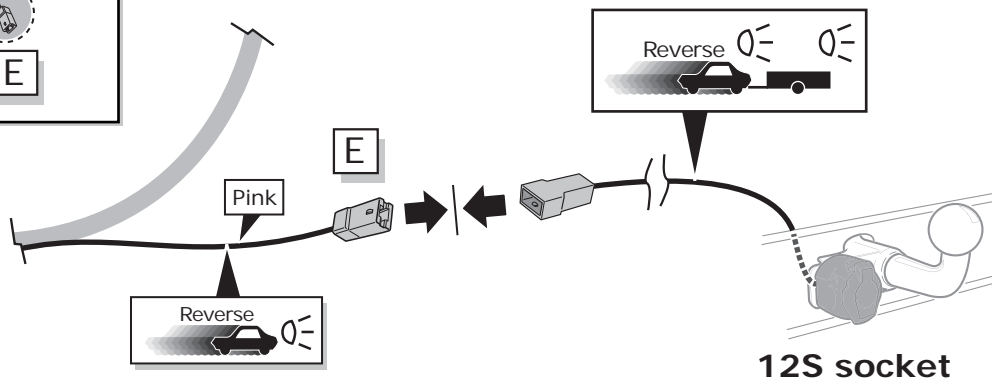
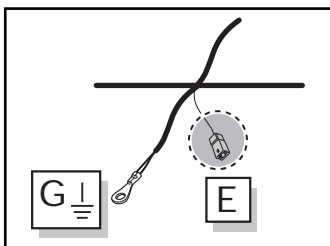




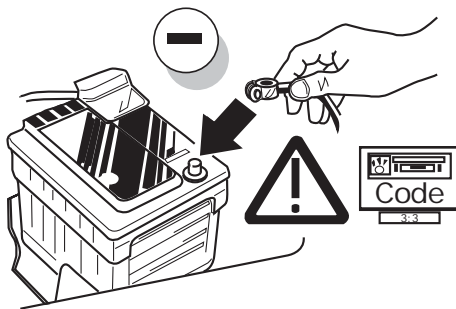
32

**Optional**

MAX = 21W



33



34

## Set up trailer operation



|                 |              |
|-----------------|--------------|
| Passat Saloon   | 11/10->10/14 |
| Passat Estate   | 11/10->10/14 |
| Passat Alltrack | 02/12->10/14 |
| CC              | 01/12->      |
| Jetta           | 01/11->      |

### General

After the installation of the electric kit, the obligatory trailer lighting, Towing vehicle and trailer stabilisation, as well as the trailer indicator control which is statutory in a several countries are guaranteed without having to make any connections on the vehicle!

The message "Control unit incorrectly coded" will, however, appear in the fault memory ( 19 - Diagnosis interface for data bus)! Yet this entry has no effect on the other functions and can be ignored until your next regular service appointment. We recommend the connection via the factory-mounted service tester within the framework of the annual service intervals!

### Please effect coding as follows:

- Vehicle self-diagnosis
- self-diagnosis
- 19 - diagnosis interface for data bus
- 008-Coding (service 22)
- 008.02 assembly list coding
- 69 - trailer function (switch to coded!)
- confirm with OK !

### Vehicles with park assist systems:

The automatic deactivation of the rear park assist system in trailer operation will be effected by means of the subsequent coding of the park assist control unit:

- Vehicle self-diagnosis
- 10 - park assist system II
- 009 Coding
- Master
- 009.02 plain text coding
- select trailer system
- confirm with OK !

### Vehicles with front sensors:

On vehicles with front sensors, the control unit must be coded as follows:

- Vehicle self-diagnosis
- A5 front sensors
- coding
- Master
- clear text encoding
- trailer → with hitch
- press "continue"

### NOTE:



Systems such as power assisted steering, Lane Change Assistant and Side Assist must be de-activated during towing. Please consult your owner handbook or dealer for further information!

### Vehicles with start-stop system:

→ The start-stop system is deactivated in trailer mode!

### Towing vehicle and trailer stabilisation:

In most vehicles as of model year 2009 the automatic activation the towing vehicle and trailer stabilisation can be checked as follows:

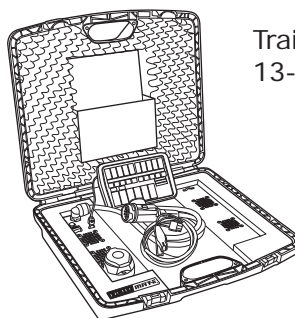
- Connect trailer to vehicle electrically
- After the ignition has been turned on the control lamp  comes on two seconds longer than control lamp , (see also driver's manual)!

### or evaluation via vehicle diagnosis:

- Connect trailer to vehicle electrically
- Vehicle self-diagnosis
- 03 Brake electronics
- 011 Measured values
- Enter "10" and "Q"
- Trailer yes

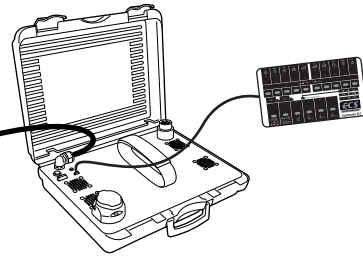
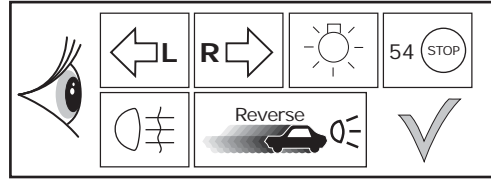
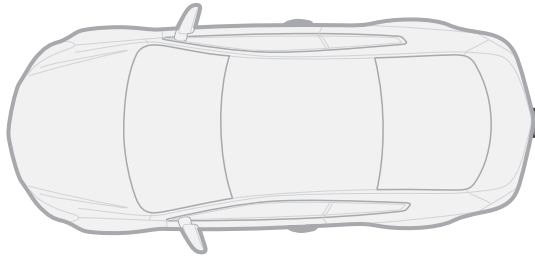
35

## Optional

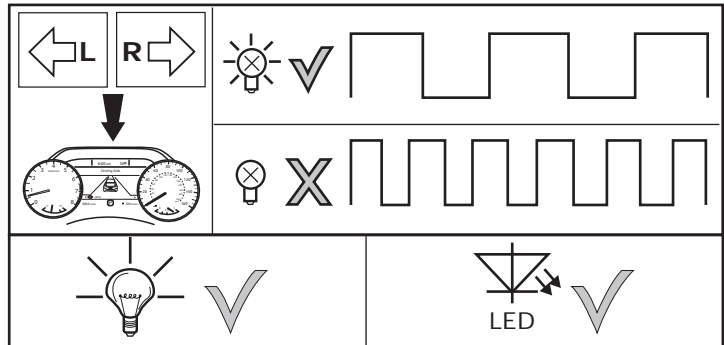
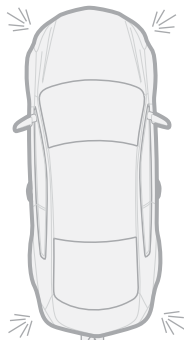


Trailer Simulator for 7- and 13-pin Sockets

36



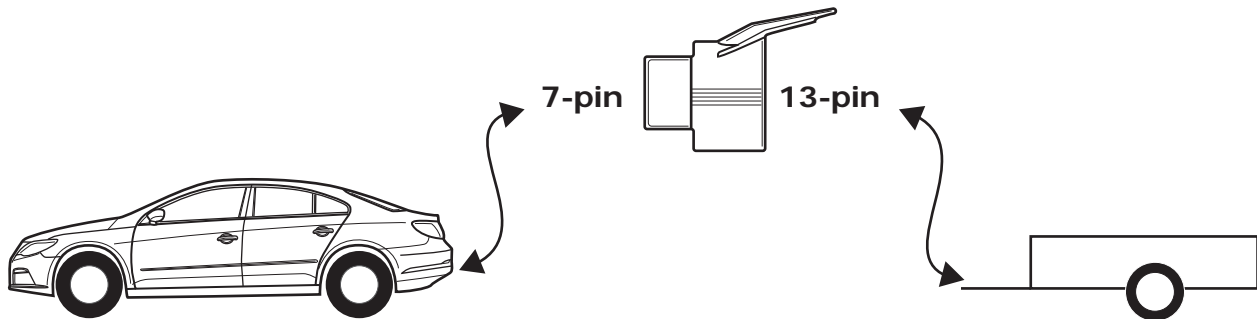
37



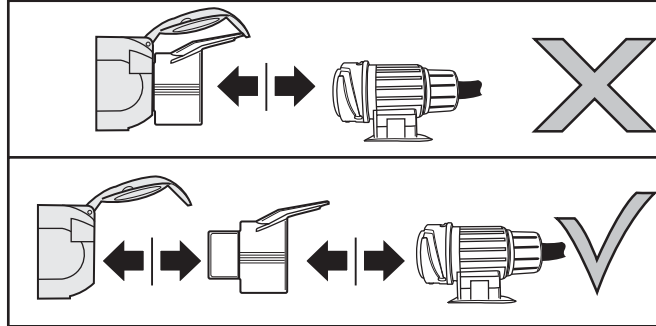
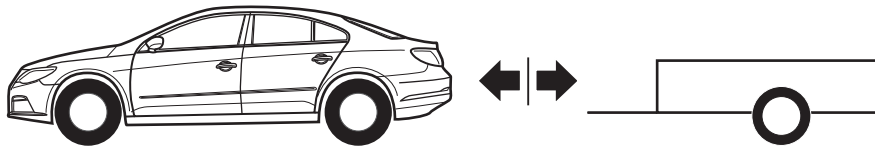
38

Optional

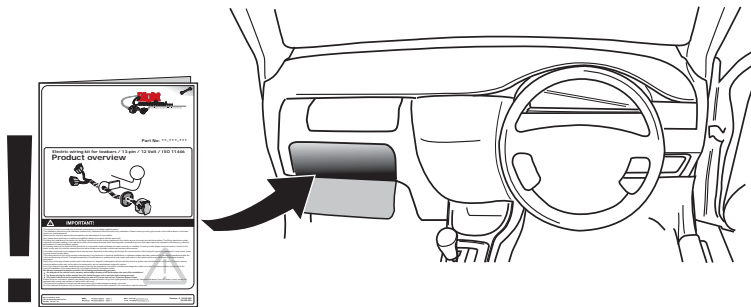
Adapter socket



39



40



41